

## Global PV Storage Insights

# Average ESS container price per 20kW in Hungary



## Average ESS container price per 20kW in Hungary

---



### What Is ESS Battery Cost Per kWh?

ESS battery costs per kWh vary significantly based on system configuration, chemistry, and scale. As of mid-2025, lithium iron phosphate (LFP) battery cells for energy ...

### ? Electricity prices in Hungary

Europe Hungary ? Electricity prices ?? Hungary HU ? The latest energy price in Hungary is EUR 89.59 MWh, or EUR 0.09 kWh This is -19% less than yesterday. In Hungary ...



### **Costs of 1 MW Battery Storage Systems 1 MW / 1 ...**

Discover the factors affecting the Costs of 1 MW Battery storage systems, crucial for planning sustainable energy projects, and learn about the market trends!

### **Cost, shipping, energy density drive move to 5MWh BESS standard**

Its latest report did not, however, provide actual BESS pricing figures as previous ones did. In

February, it said that the prices paid by US buyers of a 20-foot DC ...



## Freight Rate Calculator , 20 / 40 Ft Sea Container Shipping Cost

How are container shipping prices, rates & transport costs calculated? GoComet Freight Cost Calculator calculates freight rates by considering over 25,000 quotes submitted on the ...

## Electricity prices

End-Customer Price Formation Household and business electricity bills comprise several parts. The energy cost depends on whether customers buy at regulated (capped) prices or on the ...



## Hungary

Historically, Hungary - Electricity prices: Medium size households reached a record high of EUR0.17 Kilowatt-hour in December of 2010 and a record low of EUR0.09 Kilowatt-hour in ...

## KAM 20ft 2.9MW·h ESS Container-????????????

The container adopts "forced" ventilation cooling system, which can save a lot of power consumption for cooling. The maximum power consumption is 750W, which is able to maintain ...



## Solar Photovoltaic System Cost Benchmarks

The U.S. Department of Energy's solar office and its national laboratory partners analyze cost data for U.S. solar photovoltaic systems to develop cost benchmarks to measure progress towards goals and guide research and development ...

## Hungary Day Ahead Market average prices

Last 30 Days : 2025-08-09 - 2025-09-07 Day Ahead Electricity Market - average prices for Hungary Download Chart 2025 Year - Day Ahead Electricity Market - average prices for Hungary



## Solar Photovoltaic System Cost Benchmarks

The U.S. Department of Energy's solar office and its national laboratory partners analyze cost data for U.S. solar photovoltaic systems to develop cost benchmarks to measure progress ...

## China's Huadian announces winners in 6 GWh BESS ...

Public procurements in China continue to demonstrate exceptionally low price levels for lithium-ion phosphate (LFP) battery energy storage systems (BESS). In the latest tender, more than 80% of bidders ...



**2MW / 5MWh  
 Customizable**

## How much does it cost to build a battery energy ...

How much does it cost to build a battery in 2024? Modo Energy's industry survey reveals key Capex, O& M, and connection cost benchmarks for BESS projects.

## Cost of Living in Hungary: The Ultimate Guide

Cost of Accommodation in Hungary The cost of accommodation in Hungary can vary based on a range of factors. This includes where you live and the type of property. Let's take a closer look at the average rental prices in ...



## Cost of living in Hungary explained: prices ...

Discover the cost of living in Hungary in 2025 This guide covers monthly expenses, housing, utilities, and more, helping you plan a budget-friendly move to one of Europe's ...

## A Comprehensive Guide to Commercial Lithium-ion ...

Battery Size per Container: A 20-ft container can house 1.8 MWh of energy storage, occupying a 15-m2 footprint area. This modular design allows for easy scaling and ...

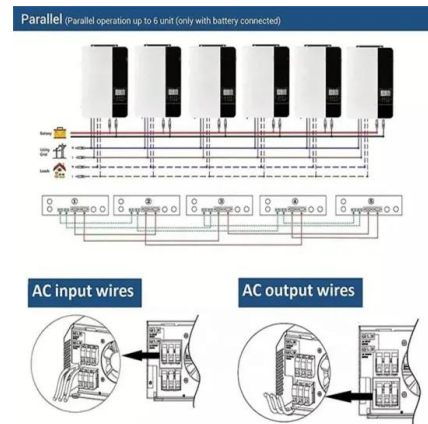


## Cost Projections for Utility-Scale Battery Storage: 2023 Update

The \$/kWh costs we report can be converted to \$/kW costs simply by multiplying by the duration (e.g., a \$300/kWh, 4-hour battery would have a power capacity cost of \$1200/kW). To develop ...

## 20ft 40ft Container ESS 500kW 1.2MWH All In One ...

HIGON is a professional 20ft 40ft Container ESS 500kW 1.2MWH All in One Container Solution for Farm manufacturer and wholesaler. All CE/TUV Approved, Shipped Factory Direct!



## ESS Container battery All in one Energy Storage System 48 V ...

Tax excluded, add at checkout if applicable ESS Container battery All in one Energy Storage System 48 V 48V 5KW 10KW 20KW 100KW lithium ion off grid power system

## China's Huadian announces winners in 6 GWh BESS tender with average ...

Public procurements in China continue to demonstrate exceptionally low price levels for lithium-ion phosphate (LFP) battery energy storage systems (BESS). In the latest ...



## The Real Cost of Commercial Battery Energy Storage in 2025

Discover the true cost of commercial battery energy storage systems (ESS) in 2025. GSL Energy breaks down average prices, key cost factors, and why now is the best time ...

## The Real Cost of Commercial Battery Energy Storage ...

But what will the real cost of commercial energy storage systems (ESS) be in 2025? Let's analyze the numbers, the factors influencing them, and why now is the best time to invest in energy storage.



## [Hungary electricity prices](#)

The residential electricity price in Hungary is HUF 0.000 per kWh or USD . These retail prices were collected in December 2024 and include the cost of power, distribution and transmission, ...

## What goes up must come down: A review of BESS ...

CEA has been advocating for months that ESS developers and integrators begin to evaluate other price drivers for their DC container buy, including the impact of anode active materials costs, increased battery module ...



## Batterie-Energiespeichersystem-Container , BESS

Batterie-Energiespeichersystem-Container , BESS Preissenkungen zur Stimulierung der Nachfrage sowie kommerzielle und industrielle Energiespeichersysteme (C& I ESS) jetzt populär werden! Seit 2023 sind die ...

## BNEF: Bigger cell sizes, 5MWh containers among major BESS ...

...

Some key takeaways from BloombergNEF's Energy Storage System Cost Survey 2024: ? Turnkey energy storage system prices fell 40% year-on-year to a global average of US\$165/kWh in ...



12.8V 200Ah



## Energy Storage System Price Trends and Cost-Saving Solutions ...

While the global average ESS price per kWh sits at \$465, regional disparities remain stark. The US market sees \$550-\$650/kWh for residential systems due to import tariffs, whereas ...

## Current electricity prices in Hungary of Hungary today

Detailed spot price on electricity hour by hour in Hungary of Hungary today. Check how much it cost to use electrical appliances in Hungary of Hungary with the current ...



## Cost, shipping, energy density drive move to 5MWh ...

Clean Energy Associates (CEA) has released its latest pricing survey for the BESS supply landscape, touching on price, products and policy.

## Container Shipping Costs: 20 ft & 40 ft Freight Rates and Prices

Discover container shipping costs and delivery charges in 2024. Explore 20ft & 40ft container prices, sea freight rates, LCL & FCL shipping costs



## Contact Us

For catalog requests, pricing, or partnerships, please visit:  
<https://naturesnursery.co.za>