

Global PV Storage Insights

Average business energy storage price per 50kW in Bolivia



Overview

The cost of commercial energy storage depends on factors such as the type of battery technology used, the size of the installation, and location. On average, lithium-ion batteries cost around \$132 per kWh .

The cost of commercial energy storage depends on factors such as the type of battery technology used, the size of the installation, and location. On average, lithium-ion batteries cost around \$132 per kWh .

The cost of a 50kW lithium-ion battery storage system using LiFePO4 technology can range from \$30,000 to \$60,000 or more, depending on the quality and brand of the batteries. Lead-acid Batteries: Although lead-acid batteries have been used in energy storage for a long time, their energy density and.

al PV output per unit of capacity (kWh/kWp/yr). The bar chart shows the proportion of a country's land area in each of these classes and the global distribution of sites used by NREL, measured at a height of 100m. The bar chart shows the distribution of the country's land area in each of these classes.

Bolivia market report. Table of contents Enerdata — Energy Report — Bolivia—
Copyright © Enerdata — All rights reserved 1 .

The role of energy storage in Bolivia's energy transition is a crucial factor in the country's efforts to shift towards a more sustainable and environmentally friendly energy landscape. As Bolivia aims to increase its reliance on renewable energy sources, such as solar and wind power, the need for.

Average business energy storage price per 50kW in Bolivia



Energy Storage System Cost Survey 2024 , BloombergNEF

Turnkey energy storage system prices have fallen 40% this year to \$165/kWh globally, the biggest drop since the launch of BloombergNEF's survey in 2017. While strongly tied to lithium-ion ...

Top 10 Energy Storage Trends in 2023

Energy storage system costs stay above \$300/kWh for a turnkey four-hour duration system. In 2022, rising raw material and component prices led to the first increase in energy storage system costs since BNEF started its ...



Bolivia: residential electricity price, Statista

In Bolivia, the average price of residential electricity has experienced a continual increasing trend in recent years, surpassing ** U.S.

The Price of 50kW Battery Storage-Ritar International Group Limited

As the energy storage industry continues to grow

and evolve, it is expected that the prices of 50kW battery storage systems will continue to decline, and new business models ...



How Much Does Commercial Energy Storage Cost?

The cost of energy storage is typically measured in dollars per kilowatt-hour (kWh) of storage capacity. According to the same BloombergNEF report, the average cost of ...

50kVA 50kW Solar Power Plant And Price

How much electricity can a 50kW solar panel produce? Based on the average lighting time of about 4-6 hours, a 50kw solar panel can generate 200kWh-300kWh per day, about 9000kWh per month, and about 108,000kWh per year. ...



Cost of Solar Battery Storage: A Complete Pricing ...

Cost of solar battery storage systems in India - Explore the upfront and long-term costs along with available financing options for residential solar batteries.

ENERGY PROFILE Bolivia (Plurinational State of)

Additional notes: Capacity per capita and public investments SDGs only apply to developing areas. Energy self-sufficiency has been defined as total primary energy production divided by ...



Bolivia Energy Storage Market (2024-2030) , Share, Growth, ...

Historical Data and Forecast of Bolivia Energy Storage Market Revenues & Volume By Industrial for the Period 2020- 2030 Bolivia Energy Storage Import Export Trade Statistics

2025 Cost of Energy Storage in California , EnergySage

As of August 2025, the average storage system cost in California is \$1031/kWh. Given a storage system size of 13 kWh, an average storage installation in California ranges in ...



114KWh ESS



Battery Energy Storage Systems In Philippines: A ...

Battery energy storage systems using lithium-ion technology have an average price of US\$393 per kWh to US\$581 per kWh. While production costs of lithium-ion batteries are decreasing, the upfront capital costs can be ...



2022 Grid Energy Storage Technology Cost and Performance ...

The assessment adds zinc batteries, thermal energy storage, and gravitational energy storage. The 2020 Cost and Performance Assessment provided the levelized cost of energy. The 2022 ...

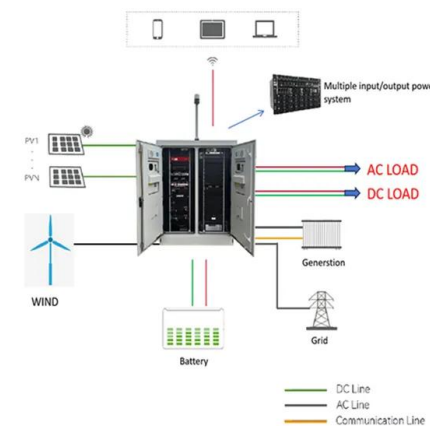


The Price of 50kW Battery Storage-Ritar International Group Limited

The capacity of a 50kW battery storage system is a key factor in determining its price. A higher capacity battery will be able to store more energy, which is beneficial for applications that ...

Utility-Scale Battery Storage , Electricity , 2024 , ATB , NREL

The battery storage technologies do not calculate levelized cost of energy (LCOE) or levelized cost of storage (LCOS) and so do not use financial assumptions. Therefore, all parameters are ...



Bolivia commercial battery storage costs

The cost of commercial energy storage depends on factors such as the type of battery technology used, the size of the installation, and location. On average, lithium-ion batteries cost around ...

Grid-scale battery costs: \$/kW or \$/kWh?

Grid-scale battery costs can be measured in \$/kW or \$/kWh terms. Thinking in kW terms is more helpful for modelling grid resiliency. A good rule of thumb is that grid-scale lithium ion batteries will have 4-hours of storage ...

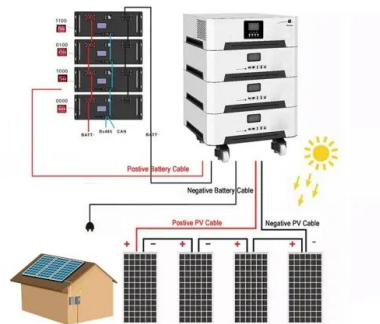


1MWh Battery Energy Storage System Prices

The price of 1MWh battery energy storage systems is a crucial factor in the development and adoption of energy storage technologies. As the demand for reliable and ...

Latin America: commercial electricity price by country, Statista

Average price of commercial electricity in selected countries in Latin America in December 2023 (in U.S. dollars per kilowatt hour) [Graph], GPP, August 11, 2024.



Residential Battery Storage , Electricity , 2021 , ATB

The 2021 ATB represents cost and performance for battery storage with two representative systems: a 3 kW / 6 kWh (2 hour) system and a 5 kW / 20 kWh (4 hour) system. It represents lithium-ion batteries only at this time. There are a ...

The Real Cost of Commercial Battery Energy Storage ...

With fluctuating energy prices and the growing urgency of sustainability goals, commercial battery energy storage has become an increasingly attractive energy storage solution for businesses. But what will the ...



The Price of 50kW Battery Storage: Factors and Market Trends

As the energy storage industry continues to grow and evolve, it is expected that the prices of 50kW battery storage systems will continue to decline, and new business models ...

Solar Photovoltaic System Cost Benchmarks

The U.S. Department of Energy's solar office and its national laboratory partners analyze cost data for U.S. solar photovoltaic systems to develop cost benchmarks to measure progress towards goals and guide research and development ...



The Price of 50kW Battery Storage: Factors and Market Trends

According to industry reports, the average price of a 50kW lithium-ion battery storage system has decreased by about 20% to 30% in the past three years. This trend is ...

Login

Turnkey energy storage system prices in BloombergNEF's 2023 survey range from \$135/kWh to \$580/kWh, with a global average for a four-hour system falling 24% from last year to \$263/kWh.



How Much Does Commercial Energy Storage Cost?

The cost of energy storage is typically measured in dollars per kilowatt-hour (kWh) of storage capacity. According to the same BloombergNEF report, the average cost of lithium-ion batteries was \$132 per kWh in 2021.

How Inexpensive Must Energy Storage Be for Utilities to Switch ...

Chiang, professor of energy studies Jessika Trancik, and others have determined that energy storage would have to cost roughly US \$20 per kilowatt-hour (kWh) for ...



50kW to 200kW Battery Energy Storage Systems

MEGATRONS 50kW to 200kW Battery Energy Storage Solution is the ideal fit for light to medium commercial applications. Utilizing Tier 1 LFP battery cells, each commercial BESS is designed ...

Solar Battery Storage Prices UK

What is the price of domestic battery storage in the UK? In this guide we explore the most popular brands, their costs, as well as the average costs of installation.



2MW / 5MWh
Customizable

BESS prices in US market to fall a further 18% in ...

The average 2024 price of a BESS 20-foot DC container in the US is expected to come down to US\$148/kWh, down from US\$180/kWh last year, a similar fall to that seen in 2023, as reported by Energy-Storage.news, when CEA launched ...

Energy Storage System Cost Survey 2022

Turnkey energy storage system prices in BloombergNEF's 2022 survey range from \$212 per kilowatt-hour (kWh) to \$575/kWh, with a global average price for a four-hour system rising by 27% from last year to \$324/kWh. Rising raw ...



Energy Storage Cost and Performance Database

hydrogen energy storage pumped storage
 hydropower gravitational energy storage
 compressed air energy storage thermal energy storage
 For more information about each, as well as the related cost estimates, please click on ...

Exploring the Potential of Energy Storage Solutions in ...

There are several types of energy storage technologies that can be employed to support Bolivia's energy transition, including batteries, pumped hydro storage, and thermal energy storage.



50KW INTEGRATED ENERGY STORAGE SYSTEM WITH ...

How much does a solar battery storage system cost in Ireland? Adding a solar battery storage system to your PV solar panel system in Ireland can be a valuable investment. The cost of ...

Contact Us

For catalog requests, pricing, or partnerships, please visit:
<https://naturesnursery.co.za>