

Global PV Storage Insights

Average commercial energy storage price per 15MW in Iraq



Overview

This report comes to you at the turning of the tide for energy storage: after two years of rising prices and supply chain disruptions, the energy storage industry is starting to see price ?

?

?

.

This report comes to you at the turning of the tide for energy storage: after two years of rising prices and supply chain disruptions, the energy storage industry is starting to see price ?

?

?

.

ars, the round-trip efficiency and the total annual cost. As the paper discussed the most suitable on oil and gas resources and has strong solar PV potential. Its production to 2030 is set to be third largest contributor to global oil supply. By the same year, the government expenditure gets and.

Let's unpack the current Iraq emergency energy storage power supply price landscape - where ancient Mesopotamian ingenuity meets 21st-century power needs. Here's what keeps buyers awake at night: Fun fact: A Baghdad restaurateur once powered a kebab grill for 72 hours straight using a \$1,200 lithium.

If you've ever tried powering a fridge during a Baghdad heatwave with a shaky grid, you'll understand why energy storage battery prices in Iraq are suddenly the talk of the town. With solar projects blooming like date palms and frequent power cuts still haunting households, Iraqis are asking: "Can.

Average commercial energy storage price per 15MW in Iraq



2020 Grid Energy Storage Technology Cost and ...

Not all energy storage technologies could be addressed in this initial report due to the complexity of the topic. For example, thermal energy storage technologies are very broadly defined and ...

Utility-Scale Battery Storage , Electricity , 2023 , ATB

Base year installed capital costs for BESS decrease with duration (for direct storage, measured in \$/kWh), while system costs (in \$/kW) increase. This inverse behavior is observed for all energy storage technologies and highlights the ...



Commercial Battery Storage , Electricity , 2023 , ATB

Future Projections: Future projections are based on the same literature review data that inform Cole and Frazier (Cole and Frazier, 2020), who generally used the median of published cost estimates to develop a Mid Technology Cost ...

Solar Power System Solution for Iraq Authors: Abdullah ...

1.3 The Need for Solar Power Given these challenges, there is a growing recognition of the

need to diversify Iraq's energy sources and invest in renewable energy, particularly solar power. ...



Iraq power storage module price trend

Low solar module prices kept solar PV competitive in the energy market in 2023 despite generally falling electricity prices, according to the latest Photovoltaic Power Systems Programme (PVPS)

1 MW Battery Storage Cost: A Comprehensive Analysis

Discover the comprehensive breakdown of 1 MW battery storage cost, ranging from \$600,000 to \$900,000. Learn how Maxbo's tailored energy solutions cater to Europe's energy demands, ...



Iraq energy storage box price trend

Desktop Computer Price in Iraq (CIF) - 2022. The average desktop computer import price stood at \$1,055 per unit in 2022, surging by 3.9% against the previous year. In general, the import price, ...

Commercial Battery Storage Costs: A Comprehensive ...

Commercial Battery Storage Costs: A Comprehensive Breakdown Energy storage technologies are becoming essential tools for businesses seeking to improve energy efficiency and resilience. As commercial energy systems evolve, ...



Iraq energy storage power prices

Iraq, one of the members of the OPEC+ agreement, raised its crude oil output (excluding condensates) in 2022 by nearly 400,000 barrels per day (b/d) from an average of less than 4.1 ...

MENA Solar and Renewable Energy Report

The dramatic drop in the price of solar energy coupled with increasing competitiveness of storage solutions will allow solar energy for a number of usages that have traditionally been large ...



Commercial Battery Storage , Electricity , 2021 , ATB

The 2021 ATB represents cost and performance for battery storage across a range of durations (1-8 hours). It represents lithium-ion batteries only at this time. There are a variety of other commercial and emerging energy storage ...

How Much Does Commercial Energy Storage Cost?

Lithium-ion batteries are currently the most popular battery energy storage technology used in commercial energy storage systems. The cost of lithium-ion batteries has ...



The Real Cost of Commercial Battery Energy Storage ...

With fluctuating energy prices and the growing urgency of sustainability goals, commercial battery energy storage has become an increasingly attractive energy storage solution for businesses. But what will the ...

IRAQ ENERGY STORAGE CONTAINER SELLING PRICE

Iraq energy storage cabin price The Yuanxin non-walk-in container energy storage system solution is adopted, and the total energy storage capacity of the system is 50MWh. Each ...



Iraq Emergency Energy Storage Power Supply Price: Trends, ...

You're not alone. As Iraq grapples with 5GW+ electricity shortages during peak demand [2], emergency energy storage solutions have become the country's unofficial lifeline. ...

1MWh-3MWh Energy Storage System With Solar Cost ...

PVMars lists the costs of 1mwh-3mwh energy storage system (ESS) with solar here (lithium battery design). The price unit is each watt/hour, total price is calculated as: $0.2 \text{ US\$} * 2000,000 \text{ Wh} = 400,000 \text{ US\$}$. When solar modules ...



Iraq s energy storage electricity price policy adjustment

A shift towards a sustainable energy system could help Iraq secure a reliable and affordable electricity supply, achieve cost savings and create long-term opportunities for economic ...

2022 Grid Energy Storage Technology Cost and Performance ...

The assessment adds zinc batteries, thermal energy storage, and gravitational energy storage. The 2020 Cost and Performance Assessment provided the levelized cost of energy. The 2022 ...



Cost Projections for Utility-Scale Battery Storage: 2023 ...

Executive Summary In this work we describe the development of cost and performance projections for utility-scale lithium-ion battery systems, with a focus on 4-hour duration ...

Energy industry in Iraq

The ranking positions of Iraq relative to other countries have been determined for an extensive list of economic, energy, innovative and educational indices, as well as for metrics reflecting the state of the environment. The ...

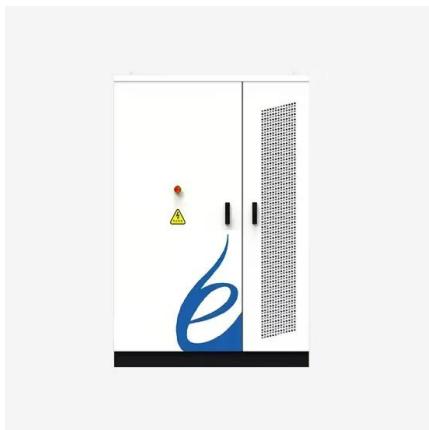


Iraq Energy Market Report , Energy Market Research ...

The Iraq energy market report provides expert analysis of the energy market situation in Iraq. The report includes energy updated data and graphs around all the energy sectors in Iraq.

Capital Cost and Performance Characteristics for Utility ...

Contacts This report, Capital Cost and Performance Characteristics for Utility-Scale Electric Power Generating Technologies, was prepared under the general guidance of Angelina ...



Iraq electricity prices, December 2024

The residential electricity price in Iraq is IQD 0.000 per kWh or USD . These retail prices were collected in December 2024 and include the cost of power, distribution and transmission, and all taxes and fees. Compare Iraq with 150 ...

Capital cost of utility-scale battery storage systems in ...

Capital cost of utility-scale battery storage systems in the New Policies Scenario, 2017-2040 - Chart and data by the International Energy Agency.



The Future of Solar Battery Storage in Iraq

Global prices of solar energy batteries have dropped significantly, making solar systems with storage more economically attractive. Reports from the International Energy ...

Commercial Battery Storage Costs: A Comprehensive Breakdown

Commercial Battery Storage Costs: A Comprehensive Breakdown Energy storage technologies are becoming essential tools for businesses seeking to improve energy efficiency and ...



Energy Storage Cost and Performance Database

The U.S. Department of Energy's (DOE) Energy Storage Grand Challenge is a comprehensive program that seeks to accelerate the development, commercialization, and utilization of next-generation energy storage ...

2022 Grid Energy Storage Technology Cost and ...

The assessment adds zinc batteries, thermal energy storage, and gravitational energy storage. The 2020 Cost and Performance Assessment provided the levelized cost of energy. The 2022 Cost and Performance Assessment ...

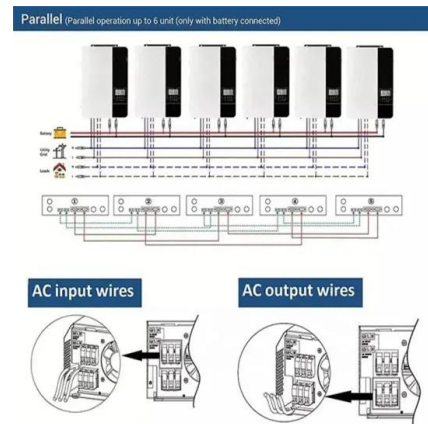


Iraq electricity prices, December 2024 , GlobalPetrolPrices

The residential electricity price in Iraq is IQD 0.000 per kWh or USD . These retail prices were collected in December 2024 and include the cost of power, distribution and transmission, and ...

Solar Photovoltaic System Cost Benchmarks

The U.S. Department of Energy's solar office and its national laboratory partners analyze cost data for U.S. solar photovoltaic systems to develop cost benchmarks to measure progress towards goals and guide research and development ...



Utility-Scale PV , Electricity , 2024 , ATB , NREL

For example, in 2014, the reported capacity-weighted average system price was higher than 80% of system prices in 2014 because very large systems with multiyear construction schedules were being installed that year. Developers of ...

Iraq Solar Energy: From Dawn to Dusk

But the United States has requested Iraq to quickly achieve "energy independence" Iraq's potentials of solar energy are high¹⁷, and seek "alternative and diversified" energy with an ...

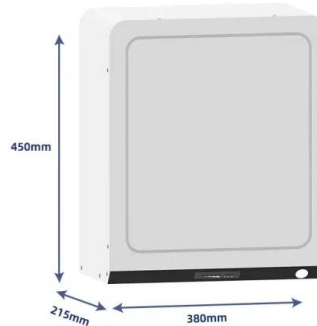


Iraq

Per-capita electricity consumption Growth in electricity demand has slowed down or even reversed in many advanced economies due to energy efficiency efforts and the shift towards ...

Iraq energy storage electricity price policy

Figures collected during the project preparation phase indicate that prices vary widely across Iraq but tend to be in the range of \$3-\$8/kW per month to cover



Contact Us

For catalog requests, pricing, or partnerships, please visit:
<https://naturesnursery.co.za>