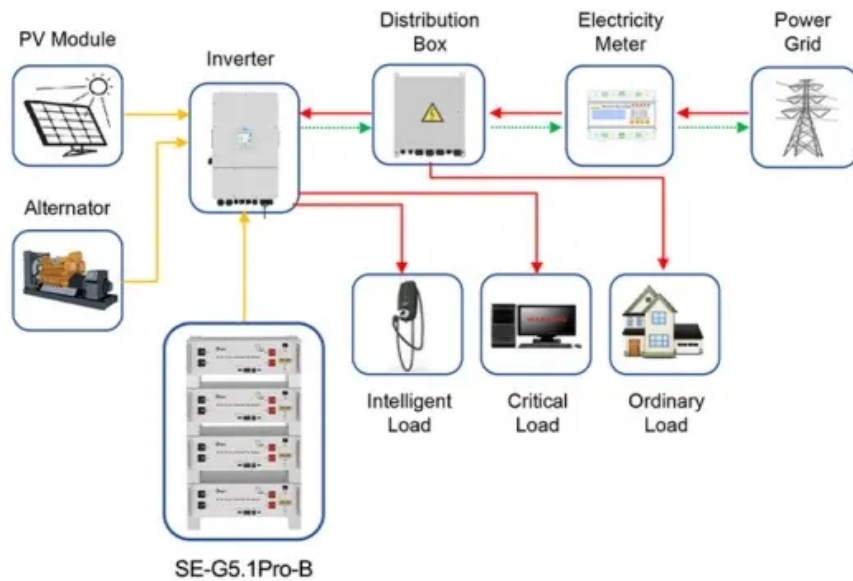


Global PV Storage Insights

Average domestic energy storage price per 5kW in Bulgaria



Application scenarios of energy storage battery products

Overview

Electricity and natural gas prices Home STATISTICAL DATA Environment and Energy Electricity and natural gas prices.

Electricity and natural gas prices Home STATISTICAL DATA Environment and Energy Electricity and natural gas prices.

Prices include electricity/gas basic price, transmission, distribution, excise, VAT and others. The prices are calculated as a weighted average price by the actual supplied quantity of electricity/natural gas and their invoiced value of all end-customers for the reference period in the following 2.

As of September 2024, the average price per kilowatt-hour is approximately 0.214436 BGN/kWh, excluding VAT (about €0.1). A standard apartment of 60–80 m² may incur electricity expenses ranging from €40 to €70 monthly, depending on consumption and season. Heating: Heating costs vary significantly by.

neighboring countries, drove down power prices during periods of high supply. In May 2023, electricity generation from coal power plants slumped 58% compared with the previous May, while solar PV had its monthly contribution grow by more than 30%. Notably, PV also had its highest ever share of.

price/regulatory period under the Energy Act. The 2022 edition of DB-EU reflects the changes that occurred in 2021 and the corresponding regulatory period 2021-2022. The current 2023 edition of DB-EU again reflects the changes that occurred in 2022 and the corresponding regulatory period 2022.

The Association for Production, Storage, and Trading of Electricity (APSTE) has published a report on the technological development and market perspectives for the energy storage systems in Bulgaria. The report “ Energy Storage. Market perspectives ” was officially presented at a workshop part of.

For small consumers (groups D1–D5), the KEVR-regulated energy price (net of taxes) was about 0.201 BGN/kWh for the lowest-consumption D1 group in H1

2024. (This price is uniform across a zone; EWRC approves any changes semi-annually.) Business (non-households): Operate on the liberalized market. Why are electricity prices so high in Bulgaria?

Rising costs for fossil fuels and CO₂ emissions are already pushing electricity prices in Bulgaria to record high levels. In response, businesses are turning to renewable energy to lower their electricity bills.

How can different energy storage applications benefit Bulgaria?

in Union (EU). How can Different Energy Storage Applications Benefit Bulgaria?

Energy storage applications play a vital role in the successful integration of renewable energy sources into electricity grid. They can bring the grid stability and resiliency crucial as a country strives to es.

Can battery-based energy storage improve peaking capacity in Bulgaria?

storage can also offer greater flexibility and efficiency in managing the grid. Furthermore, and although hydropower storage already makes up a significant source of peaking capacity in Bulgaria, battery-based energy storage can address peaking needs during times of droughts, meet requirements for more distributed peaking po.

Who can benefit from a high imbalance in Bulgaria?

the market after grid services than standalone solar
BALANCING AND PORTFOLIO OPTIMISATION
Considering the high imbalance changes seen in Bulgaria, Balance Responsible Parties (BRPs) such as utilities, traders, and IPPs as well as DSOs can also benefit fr

Average domestic energy storage price per 5kW in Bulgaria

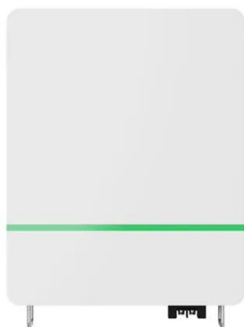


Europe energy, electricity, power cost comparison @ Sust-it

European Energy Cost Comparison The graph shows the average amount that domestic consumers pay in GBP per one kilowatt-hour of electricity including taxes & duties, from lowest ...

5kW Solar System: Panels, Pricing, Output Per Day, ...

Does the thought of slashing your power bill by using a free resource bring a smile to your face? Our 5kW solar systems can potentially reduce your power bill to zero thanks to the combination of high energy yields and great value-for ...



Bulgaria Plovdiv Energy Storage Photovoltaic Power Generation ...

SunContainer Innovations - Summary: Explore the latest price trends for solar energy storage systems in Plovdiv, Bulgaria. This guide breaks down costs, government incentives, and real ...

Solar batteries Ireland , Solar battery costs

It depends on your energy consumption, solar panel output, the battery's storage capacity and

how many days you'd like your batteries to provide power (called autonomy of ...



TAX FREE

Product Model
 HJ-ESS-215A(100KW/215KWH)
 HJ-ESS-115A(50KW/115KWH)

Dimensions
 1600*1280*2200mm
 1600*1200*2000mm

Rated Battery Capacity
 215KWH/115KWH

Battery Cooling Method
 Air Cooled/Liquid Cooled

BNEF finds 40% year-on-year drop in BESS costs

Around the beginning of this year, BloombergNEF (BNEF) released its annual Battery Storage System Cost Survey, which found that global average turnkey energy storage system prices had fallen 40% from 2023 ...

Electricity prices

Electricity prices - Bulgaria - Today. Exchange prices do not include VAT, distribution and delivery fees. Day-ahead prices are published daily at approximately 13:15 CET.



LFP 12V 200Ah



5kW Solar System: Price, Load Capacity, How Big, ...

How Much Will a 5kW Solar System Save? One of the most significant advantages of a 5kW solar system is its ability to save you money on electricity bills. On average, this system can save you up to \$1,551 per year. ...

APSTE: High state fees for PV panels, energy storage batteries ...

The Association for Production, Storage and Trading of Electricity (APSTE) warned that the government's disproportionately high fees for photovoltaic panels and energy ...



Standard 20ft containers



Standard 40ft containers

[? Electricity prices in Bulgaria](#)

? Electricity prices ?? Bulgaria BG ? The latest energy price in Bulgaria is EUR 84.93 MWh, or EUR 0.08 kWh This is -9% less than yesterday. In Bulgaria 's local currency this ...

2024 Guide to 5 kW Solar Panels in India: ...

Explore the latest 5kw solar panel price in India, including top brands and installation costs. Get savvy with your solar investment in 2024.



5kW Solar System Price in India, 2024

A 5kW grid connected solar system (on grid solar system) is useful for those locations where the electricity bill comes to 5,000 to 10,000 per month in summer seasons.

Solar batteries Ireland , Solar battery costs

It depends on your energy consumption, solar panel output, the battery's storage capacity and how many days you'd like your batteries to provide power (called autonomy of power). But for the average household - consuming ...



Residential Battery Storage , Electricity , 2022 , ATB

The National Renewable Energy Laboratory's (NREL's) Storage Futures Study examined energy storage costs broadly and specifically the cost and performance of LIBs (Augustine and Blair, 2021). This report is the basis of the costs ...

Bulgaria's battery storage market gears up

Bulgaria has installed between 40 MWh and 50 MWh battery energy storage capacity to date. However, a new national legislation as well as funds provided through the ...



- LIQUID/AIR COOLING
- PROTECTION IP54/IP55
- PCS EMS
- BATTERY /6000 CYCLES

Residential Battery Storage , Electricity , 2021 , ATB

The 2021 ATB represents cost and performance for battery storage with two representative systems: a 3 kW / 6 kWh (2 hour) system and a 5 kW / 20 kWh (4 hour) system. It represents lithium-ion batteries only at this time. There are a ...

5kW Solar System: Price, Load Capacity, How Big, and More

How Much Will a 5kW Solar System Save? One of the most significant advantages of a 5kW solar system is its ability to save you money on electricity bills. On ...



Solar Battery Prices: Are Home Batteries Finally ...

What Affects The Battery Price? Battery Cost Factor #1: Battery Capacity The energy storage capacity of a battery is measured in kilowatt-hours (kWhs). The higher the capacity, the more kWhs it stores, and the more the ...

Bulgaria: Energy Storage as a Catalyst for a Changing ...

storage is hindering Bulgaria in the development of an energy storage market. Furthermore, Bulgaria's energy legislation and grid codes have been historically written with thermal plants in ...

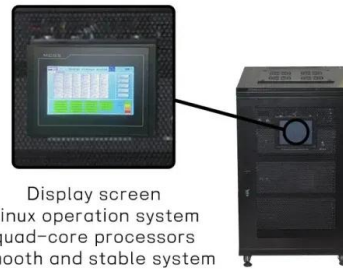


Residential Battery Storage , Electricity , 2021 , ATB , NREL

The 2021 ATB represents cost and performance for battery storage with two representative systems: a 3 kW / 6 kWh (2 hour) system and a 5 kW / 20 kWh (4 hour) system. It represents ...

5kW Solar System in the UK: Costs & Output (August ...)

High energy output: With 5kW worth of solar panels, you can generate about 20kWh of electricity per day, or 4,250kWh annually. An average 2 to 3-bedroom house requires 2,700kWh of electricity per year.



Average Price of Electricity Per kWh in the UK (2025)

From 1 July to 30 September 2025, the average price of electricity per kWh will be 25.73 pence for a typical household that pays by Direct Debit. This is according to the latest energy price cap of £1,720 per year set by ...

How Much Do Solar Storage Batteries Cost?

This allows you to start small, then scale your storage system as your solar output or energy needs grow. What's the VAT on solar storage batteries? There has been 0% VAT on solar storage batteries, since February ...



5 kW Solar Plant Price in India: A Complete Guide

Discover the price, savings potential, and benefits of installing a 5 kW solar plant in India. Learn why it's a smart investment for your home or business.

What Does Green Energy Storage Cost in 2025?

In 2025, you're looking at an average cost of about \$152 per kilowatt-hour (kWh) for lithium-ion battery packs, which represents a 7% increase since 2021. Energy storage systems (ESS) for four-hour durations exceed \$300/kWh, marking the ...



- 
Efficient Higher Revenue
 - Max. Efficiency 97.5%
 - Max. PV Input Voltage 600V
 - 100% Peak Output Power
 - 2 MPPT Trackers, 100% DC Input Overvoltage
 - Max. PV Input Current 55A, Compatible with High-Power Modules
- 
Intelligent Simple O&M
 - IP65 Protection Degree: support outdoor installation
 - Smart ITC Error Diagnosis Function: locate PV string faults accurately and automatically detect faults
 - DC & AC Type II SPD: prevent lightning damage
 - Battery Reverse Connection Protection
- 
Flexible Abundant Configuration
 - Plug & Play, EPC Switching Under 10min
 - Compatible with Lead-acid and Lithium Batteries
 - Max. 6 Units Inverters Parallel
 - AFC Function (Optional): when an arc fault is detected the inverter immediately stops operation

How Much Does A 5 kW Solar System Cost? | Eco ...

Discover more about the costs of installing a 5 kW solar system. From panels and inverters to batteries and maintenance, get valuable cost insights.

Bulgaria Day Ahead Market average prices

Last 30 Days : 2025-08-04 - 2025-09-02 Day Ahead Electricity Market - average prices for Bulgaria Download Chart 2025 Year - Day Ahead Electricity Market - average prices for Bulgaria January February March April May June July ...

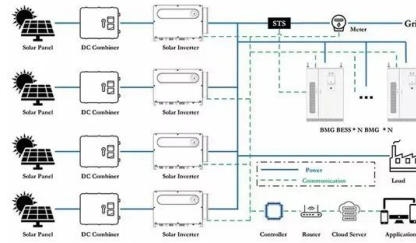


How Much Is a 5kW Solar Battery and What to Consider Before ...

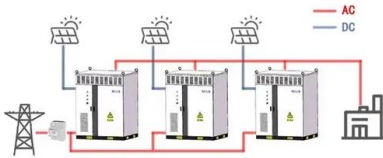
A 5kW solar battery serves as a vital energy storage solution for homes, allowing you to store excess energy generated from solar panels. Typically, these batteries can ...

Solar Battery Prices: Are Home Batteries Finally Worth It?

What Affects The Battery Price? Battery Cost Factor #1: Battery Capacity The energy storage capacity of a battery is measured in kilowatt-hours (kWhs). The higher the ...



WORKING PRINCIPLE



2025 Cost of Energy Storage in California , EnergySage

As of August 2025, the average storage system cost in California is \$1031/kWh. Given a storage system size of 13 kWh, an average storage installation in California ranges in ...

Contact Us

For catalog requests, pricing, or partnerships, please visit:
<https://naturesnursery.co.za>