

Global PV Storage Insights

Average enterprise ESS system price per 10MW in Zimbabwe



Average enterprise ESS system price per 10MW in Zimbabwe



Financial and Production Performance Analysis of Beef Cattle

Below the generated livestock statistics in the spread sheet is a table that specifies weight and price per kg for the different categories of cattle, this calculates total opening and closing ...

U.S. Solar Photovoltaic System and Energy Storage Cost

Other reports may also quantify average or median reported prices or quotes over a particular period, which include data sets of systems with varying price markups, project timelines, ...



Industrial Energy Storage System Lithium Ion Battery ...

Industrial Energy Storage System Lithium Ion Battery Ess Containerized Energy Storage Commercial Battery Energy Storage System, Find Complete Details about Industrial Energy Storage System Lithium Ion Battery Ess Containerized ...

An approximate design of a 100MW solar power plant ...

This project report is to estimate and calculate the approximate design of a 1MW solar PV power plant (utility scale) so that we can come out with

an approximate design of a 100MW solar PV power Plant. The total number of solar panel ...



Zimbabwe modular energy storage system

In a groundbreaking move to address Zimbabwe's persistent power cuts, ZESA Holdings has announced the installation of a utility-scale battery energy storage system.

Calculation of energy storage cost for a 1MW power station

The overall 1 MW solar power plant cost is influenced by multiple factors such as the choice of solar panels, inverters, and additional infrastructure required. The cost of a 1 MW solar panel ...



0.5MW 1MW 2MW 10MW 5MW ESS Container Energy Storage System ...

The Latest Price Of 0.5MW 1MW 2MW 10MW 5MW ESS Container Energy Storage System Off On Grid With Solar Power Battery, Cost High Quality Solar And Competitive Price, Three ...

1 MW Solar Power Plant India: Price, Specifications

Frequently Asked Questions About 1 MW Solar Power Plant How much area is required for a 1MW solar plant? On average, a 1kW solar system requires a shade-free area of 6 square meters. Accordingly, to set up solar ...



LIQUID COOLING ENERGY STORAGE SYSTEM

EMS real-time monitoring
 No container design
 flexible site layout



Cycle Life
≥8000

Nominal Energy
200kwh

IP Grade
IP55

Battery Energy Storage System Production Cost

Case Study on Battery Energy Storage System Production: A comprehensive financial model for the plant's setup, manufacturing, machinery and operations.

BESS prices in US market to fall a further 18% in ...

The average 2024 price of a BESS 20-foot DC container in the US is expected to come down to US\$148/kWh, down from US\$180/kWh last year, a similar fall to that seen in 2023, as reported by Energy-Storage.news, when CEA launched ...



ESS Energy Storage System Price , You Need

But how much does an ESS energy storage system cost? The answer depends on a number of factors, including the size of the system, the type of battery chemistry, and the features of the system.

PowerChina receives bids for 16 GWh BESS tender ...

In what is described as the largest energy storage procurement in China's history, Power Construction Corporation of China (PowerChina) is targeting an unprecedented cumulative storage capacity of 16 GWh. The bids ...



Solar Photovoltaic System Cost Benchmarks

The U.S. Department of Energy's solar office and its national laboratory partners analyze cost data for U.S. solar photovoltaic systems to develop cost benchmarks to measure progress towards goals and guide research and development ...

Solar PV in Africa: Costs and Markets

Solar PV module prices have fallen rapidly since the end of 2009, to between USD 0.52 and USD 0.72/watt (W) in 2015.¹ At the same time, balance of system costs also have declined. As a ...



100kw ESS Container Battery Energy Storage System For 10Mw ...

Product Description Overview Quick Details
 Warranty: 30YEARS Free installation service: Yes
 Place of Origin: China Brand Name: Rosen or OEM Model Number: RS100KWH-ESS ...

Volta's 2024 Battery Report: Falling costs drive battery ...

Hints are given that costs are falling further: a December 2024 bid in China for 16 GWh for "battery enclosures + PCS (Power Conversion System)," therefore excluding EPC and grid connection costs, had an average ...



Energy storage system expansion planning in power systems: a ...

The first category is from the system operator's point of view, containing three subcategories: ESS expansion planning in microgrids and isolated grids, ESS expansion ...

JinkoSolar and Must Zimbabwe sign ESS distribution deal in ...

According to the agreement, JinkoSolar will supply over 100MWh of its ESS products to Must Zimbabwe, including lithium iron phosphate battery system units for residential use and LFP ...



Solar Packages

Solar Packages Infinity Solar is a leading renewable energy company registered with the Zimbabwe Energy Regulatory Authority (ZERA) and the Procurement Regulatory Authority of Zimbabwe (PRAZ).

Global Energy Storage Market Records Biggest Jump ...

The global energy storage market almost tripled in 2023, the largest year-on-year gain on record. Growth is set against the backdrop of the lowest-ever prices, especially in China where turnkey energy storage system ...

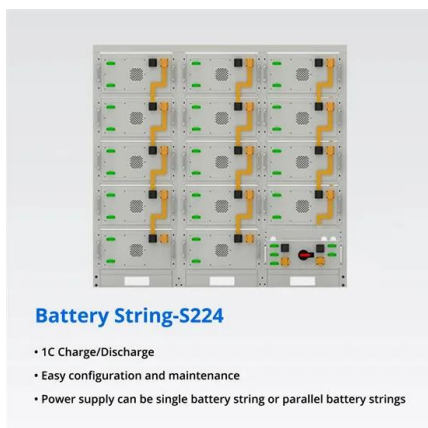
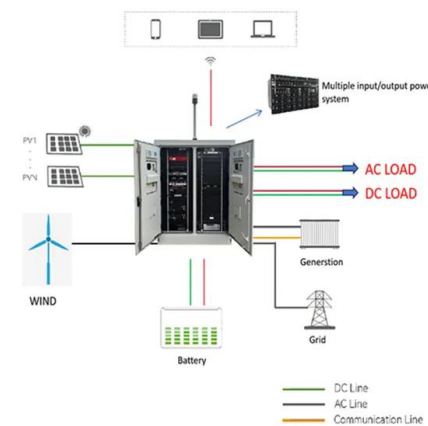


ESS Price per kWh in 2025: Trends, Costs, and Key Savings ...

Why ESS Prices per kWh Are Dropping Faster Than Expected You've probably heard the buzz about energy storage systems (ESS) becoming more affordable, but did you know lithium-ion ...

What is the Cost of BESS per MW? Trends and 2025 Forecast

As of most recent estimates, the cost of a BESS by MW is between \$200,000 and \$450,000, varying by location, system size, and market conditions.



ESS in China: Supportive policy to accelerate market growth

Installed ESS capacity in China has grown every year, as the country pledges to achieve net-zero by 2026, and with installed renewable energy capacity continually increasing. ...

0.5MW 1MW 2MW 10MW 5MW ESS Container ...

The Latest Price Of 0.5MW 1MW 2MW 10MW 5MW ESS Container Energy Storage System Off On Grid With Solar Power Battery, Cost High Quality Solar And Competitive Price, Three Phase Off Grid Solar Power System



Outdoor Cabinet BESS
50 kWh/500 kWh Battery Storage System
Industrial and Commercial Energy Storage

- All In One**
Integrating battery packs
- High-capacity**
50-500kWh
- Degree of Protection**
IP54
- Operating Temperature Range**
-20~60°C(Derating above 50 °C)
- Intelligent Integration**
integrated photovoltaic storage cabinet
- Rated AC Power**
50-100kW
- Altitude**
3000m(>3000m derating)

Battery Energy Storage Systems Report

This information was prepared as an account of work sponsored by an agency of the U.S. Government. Neither the U.S. Government nor any agency thereof, nor any of their employees, ...

Example of a cost breakdown for a 1 MW / 1 MWh ...

The increasing amount of renewable energy in power systems poses challenges for the system operators to handle the volatility of power generation. Demand response and lithium-ion (Li-ion) based



Energy Storage System Price Trends and Cost-Saving Solutions ...

Over the past 3 years, the average energy storage system price has dropped by 28% worldwide. What's driving this downward trend? Technological breakthroughs in lithium-ion batteries, ...

Hyundai Group Building

New renewable power Peak Frequency Rapid growth of ESS market through the application of a REC modifier of 5.0 New renewable power generation sector (2014~2020 forecast) - Ratio within ESS : 10% -> 34.6% growth - Installed ...



2021/2030 10 MW/40 MWh Lithium-ion Battery ESS Installed Costs.

Download scientific diagram , 2021/2030 10 MW/40 MWh Lithium-ion Battery ESS Installed Costs. from publication: Investment Decision for Long-Term Battery Energy Storage System Using ...

Declining battery costs to boost adoption of battery energy

The decline in battery costs over the past decade leading up to 2021 helped reduce the cost of energy storage and adoption of BESS projects globally. While the prices ...



What goes up must come down: A review of BESS ...

Lithium's impact on ESS system pricing has been established but does not fully explain the extent of current market pricing. In fact, the lithium impact is diminishing mightily, as lithium carbonate within the battery cathode ...

Understanding BESS: MW, MWh, and ...

Battery Energy Storage Systems (BESS) are essential components in modern energy infrastructure, particularly for integrating renewable energy sources and enhancing grid stability. A fundamental understanding of ...



Contact Us

For catalog requests, pricing, or partnerships, please visit:
<https://naturesnursery.co.za>