

## Global PV Storage Insights

# Average factory solar storage price per 30MW in Bolivia



## Overview

---

Considering a solar factory in Bolivia?

Our guide covers critical power grid and water supply insights to help you build a resilient business plan.

Considering a solar factory in Bolivia?

Our guide covers critical power grid and water supply insights to help you build a resilient business plan.

An investor has secured funding, identified a market, and drafted a comprehensive business plan for a new solar module factory—a seemingly sound project. Yet, operations are unexpectedly halted for several hours each month, damaging sensitive equipment and wasting significant material. The.

Small systems (50kWh–200kWh) are suitable for backup power for small factories or storage facilities and start at \$30,000–\$80,000. These systems are ideal for businesses that need to respond to grid outages at short notice. Medium-sized systems (500kWh–1MWh) are suitable for large manufacturing.

Annual Revenue = Annual Production Capacity (in Watts) x Average Selling Price per Watt  
For a 50 MW (50,000,000 W) line operating at 85% efficiency, the annual output would be 42,500,000 Watts. If the average selling price for locally produced modules is USD 0.28 per Watt, the projected annual.

The country has vast potential for solar power generation, with an average solar irradiation of 5.4 kWh/m<sup>2</sup> per day, making it one of the most promising locations for solar energy in South America. In addition, Bolivia's mountainous terrain and high wind speeds make it an ideal location for wind.

92% drop in solar PV module prices from \$4.88 per watt in 2000 to \$0.38 per watt in 2019. 20% reduction in solar panel cost in the last 5 years, with a further decline in price expected to continue. Solar coupled with energy storage is pegged to grow substantially in the near term. In the U.S., its.

## Average factory solar storage price per 30MW in Bolivia

---

114KWh ESS



ISO 9001 ISO 14001 PICC RoHS CE MSDS UN38.3 UK CA IEC

### Understanding Battery Storage Costs per Megawatt in 2024

Breaking Down the \$1.2 Million Question Let's cut through the industry jargon - when we talk about battery storage costs per MW, we're essentially asking: "How much does it cost to park a ...

### Cost per mw of solar power

Of course, solar farms operate on a scale that is several orders of magnitude greater, which allows them to drive down per-unit costs through economies of scale. Types of utility-scale ...



### CTF COST OF RENEWABLE ENERGY TECHNOLOGIES

An analysis of the CTF portfolio found that, within generation technologies, the lowest investment cost per MW was in wind, driven by innovations in wind technology and cost reductions in the ...

### Solar Report Nigeria

The increasing adoption is generally driven by a reduction in the cost of solar: The prices of solar panels went from \$5 per watt in 2000 to \$0.37 in 2017, and this represents a 93% drop in prices.



## Solar Battery Prices: Is It Worth Buying a Battery in 2025?

\* Solar battery cost per kWh On average, it costs around \$1,300 per kWh to install a battery before incentives. With the 30% federal tax credit applied, the cost is closer to \$1,000 per kWh. ...



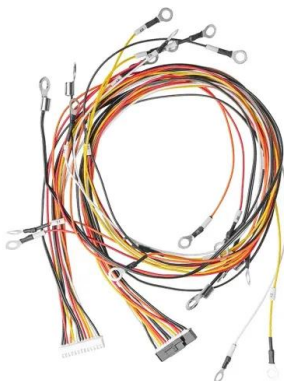
## Utility-Scale PV , Electricity , 2021 , ATB , NREL

Plant costs are represented with a single estimate per innovations scenario, because CAPEX does not correlate well with solar resource. For the 2021 ATB--and based on (EIA, 2016) and the NREL Solar PV Cost Model (Feldman ...



## Commercial Battery Storage Costs: A Comprehensive ...

Commercial Battery Storage Costs: A Comprehensive Breakdown Energy storage technologies are becoming essential tools for businesses seeking to improve energy efficiency and resilience. As commercial energy systems evolve, ...



## 1MWh-3MWh Energy Storage System With Solar Cost

PVMars lists the costs of 1mwh-3mwh energy storage system (ESS) with solar here (lithium battery design). The price unit is each watt/hour, total price is calculated as: 0.2 US\$ \* ...



## Bolivia Factory Photovoltaic Energy Storage Powering Industries ...

In the heart of South America, Bolivia's factories are embracing a photovoltaic energy storage revolution. With abundant sunlight and rising electricity costs, industrial players are adopting ...

## Solar Farm Cost Investment Unveiled: True Cost of ...

Solar panels: Solar panel prices have decreased significantly in recent years, with the average cost per watt now ranging between \$0.20 and \$0.25. For a 1 MW solar farm, the solar panel cost would be approximately ...



## Solar Manufacturing in Bolivia: An Off-Grid Opportunity

A 20-50 MW solar module production line would be well-positioned to capture a significant share of this multi-year demand, establishing the factory as a key partner in ...

## Utility-Scale PV , Electricity , 2023 , ATB , NREL

Average capacity factors are calculated using county-level capacity factor averages from the reV model for 1998-2021 (inclusive) of the NSRDB. The NSRDB provides modeled spatiotemporal solar irradiance resource data at 4 ...



## Energy storage costs

Overview Energy storage technologies, store energy either as electricity or heat/cold, so it can be used at a later time. With the growth in electric vehicle sales, battery storage costs have fallen ...

## Solar Power Plant Cost

Solar Power Plant Cost Per kWh Calculating the cost per kilowatt-hour (kWh) of a solar power plant is pivotal for evaluating its economic viability and performance. The cost per kWh is influenced by the total ...



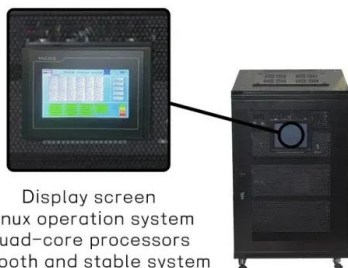
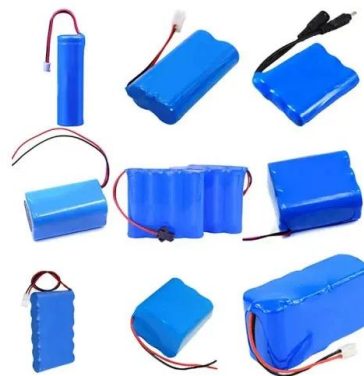
## Renewable Power Generation Costs in 2021

The lifetime cost per kWh of new solar and wind capacity added in Europe in 2021 will average at least four to six times less than the marginal generating costs of fossil fuels in 2022. Globally, ...

## Bolivia Factory Photovoltaic Energy Storage Powering Industries ...

Specializing in industrial renewable systems since 2008, we deliver turnkey solar storage solutions for factories across Bolivia. Our team combines international technical expertise with

...



Display screen  
 Linux operation system  
 quad-core processors  
 smooth and stable system

## Bolivia Solar Panel Manufacturing Report , Market

...

Explore Bolivia solar panel manufacturing landscape through detailed market analysis, production statistics, and industry insights. Comprehensive data on capacity, costs, and growth.

## Latest Solar Price Chart and Dashboardo Carbon Credits

The solar price for residential installations depends on factors like system size, installation costs, location, and available incentives. While residential solar pricing is typically higher per megawatt-hour (MWh) than utility-scale projects,

...



## [Global Solar Atlas](#)

The Global Solar Atlas provides a summary of solar power potential and solar resources globally. It is provided by the World Bank Group as a free service to governments, developers and the ...

## Bolivia commercial battery storage costs

The largest lithium-ion battery storage system in Bolivia is nearing completion at a co-located solar PV site, with project partners including Jinko, SMA and battery storage provider Cegasa.



## 2025 Cost of Energy Storage in California , EnergySage

As of August 2025, the average storage system cost in California is \$1031/kWh. Given a storage system size of 13 kWh, an average storage installation in California ranges in ...

## 30MW 40MW 50MW Lithium Battery Energy Storage Solar Panel ...

30MW 40MW 50MW Lithium Battery Energy Storage Solar Panel Plant This scheme is applicable to the distribution system composed of photovoltaic, energy storage, power load and power ...



## Solar Battery Prices: Is It Worth Buying a Battery in ...

\* Solar battery cost per kWh On average, it costs around \$1,300 per kWh to install a battery before incentives. With the 30% federal tax credit applied, the cost is closer to \$1,000 per kWh. Update: This tax is only available to home battery ...

## How Much Does It Cost To Build A Solar Farm In ...

The solar facility covers 500 hectares and is made up of 700,000 solar panels. Are There Any Government Incentives In South Africa For Building A Solar Farm? Yes, the South African government offers incentives for renewable energy ...



## Documenting a Decade of Cost Declines for PV Systems

The new benchmark includes varying hours of storage capacities, reflecting diverse customer preferences for resilience. Additionally, NREL has calculated the levelized cost of solar-plus-storage (LCOSS), which ...

## Utility-Scale PV , Electricity , 2022 , ATB , NREL

Units using capacity above represent kWAC. 2022 ATB data for utility-scale solar photovoltaics (PV) are shown above, with a Base Year of 2020. The Base Year estimates rely on modeled capital expenditures (CAPEX) and operation and ...



## Solar Manufacturing in Bolivia: A Power & Water Guide

Considering a solar factory in Bolivia? Our guide covers critical power grid and water supply insights to help you build a resilient business plan.

## U.S. Solar Photovoltaic System and Energy Storage Cost

U.S. Solar Photovoltaic System and Energy Storage Cost Benchmarks, With Minimum Sustainable Price Analysis: Q1 2022. Golden, CO: National Renewable Energy Laboratory.



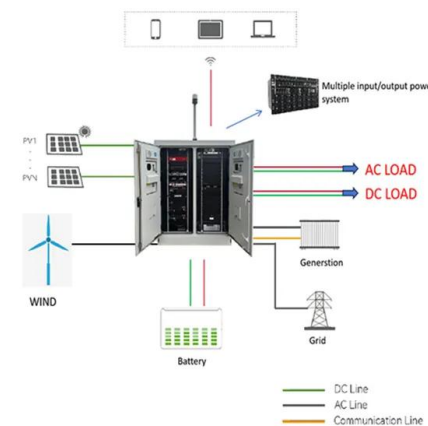
## Grid-Scale Battery Storage: Costs, Value, and Regulatory

...

India Estimates for Storage PPAs Derived by Scaling U.S. Market Data India estimates are ~34% higher than the US mainly due to the interest rate differences (5.5% in the US vs 11% in ...

## Utility-Scale PV , Electricity , 2024 , ATB , NREL

For example, in 2014, the reported capacity-weighted average system price was higher than 80% of system prices in 2014 because very large systems with multiyear construction schedules were being installed that year. Developers of ...



## Industrial Solar Storage Cost 2025: Pricing Guide, ROI Analysis ...

The answer in 2025 depends on multiple factors, such as system size, technology, and specific application. In this guide, we will break down the cost structure, ...

## Contact Us

---

For catalog requests, pricing, or partnerships, please visit:  
<https://naturesnursery.co.za>