

Global PV Storage Insights

Average factory solar storage price per 3MW in Turkey



Overview

Explore Turkey solar panel manufacturing landscape through detailed market analysis, production statistics, and industry insights. Comprehensive data on capacity, costs, and growth.

Explore Turkey solar panel manufacturing landscape through detailed market analysis, production statistics, and industry insights. Comprehensive data on capacity, costs, and growth.

The availability of sunny hours per year is around 2,741 for most parts of Turkey, with annual solar radiation of 7 – 7.5 kilowatt-hours per square meter per day. 12 The annual generation per unit of installed PV capacity in Turkey is approximately 1200-1700 KWh/kWp/year. 2 The average electricity.

Turkey's policy instrument to incentivize the installation of utility-scale wind and solar power plants is the Renewable Energy Resource Areas (YEKA) scheme. The Ministry of Energy identifies areas where renewable energy plants of certain capacities can be built. These capacities are then awarded.

Let's cut to the chase: Ankara energy storage prices currently range from \$280 to \$350 per kWh for commercial systems [1]. But here's the kicker – that's 18% cheaper than Istanbul's rates. Why?

Three factors are flipping the script: Government Juice: Turkey's 2023 Renewable Energy Action Plan.

With three production bases across Turkey, Smart Solar Technologies projects a substantial increase in production capacity by Q1 2024. Listed on the BIST50 Board of the Istanbul Stock Exchange in 2023, the company emphasizes responsibility and human rights. 7. Ankara Solar Situated in Turkey's.

PVMars lists the costs of 1mwh-3mwh energy storage system (ESS) with solar here (lithium battery design). The price unit is each watt/hour, total price is calculated as: $0.2 \text{ US\$} * 2000,000 \text{ Wh} = 400,000 \text{ US\$}$. When solar modules are added, what are the costs and plans for the entire energy storage.

Incentives provided under YEKDEM (Renewable Energy Resources Support Mechanism) and the rapidly decreasing cost of panel and labor have recently played an important role in the remarkable development of the solar energy market. The total installed capacity of solar energy reached about 6 GW as of. How much does a solar energy storage system cost?

PVMars lists the costs of 1mwh-3mwh energy storage system (ESS) with solar here (lithium battery design). The price unit is each watt/hour, total price is calculated as: $0.2 \text{ US\$} * 2000,000 \text{ Wh} = 400,000 \text{ US\$}$. When solar modules are added, what are the costs and plans for the entire energy storage system?

Click on the corresponding model to see it.

What is solar energy in Turkey?

Solar energy refers to the conversion of sunlight into electricity using photovoltaic (PV) panels or concentrated solar power (CSP) systems. This renewable energy source has gained popularity in Turkey due to its abundant sunlight and the country's commitment to clean energy transition.

How many people use solar energy in Turkey?

As a consequence of these flourishing developments, the Turkish solar energy sector currently employs over 50,000 people. The share of variable renewable energy sources, such as solar and wind, in total electricity generation is expected to increase. This is considering Türkiye's current flexibility opportunities, and renewable energy potential.

Who makes the most solar panels in Turkey?

CW Energy, since its inception in 2008, has grown to be one of the largest solar panel manufacturers in Turkey, boasting a remarkable 1.8 GW production capacity. The company's versatile approach encompasses a range of services, marking it as a significant player in the solar industry. 3. Elin - Sirius.

Why is solar energy gaining popularity in Turkey?

This renewable energy source has gained popularity in Turkey due to its abundant sunlight and the country's commitment to clean energy transition. The solar energy market in Turkey offers immense potential for investors, manufacturers, and stakeholders looking to capitalize on sustainable energy solutions. Meaning.

Why is Turkey a good place to invest in solar energy?

These targets drive the demand for solar energy projects and encourage further market growth. **Abundant Solar Resource:** Turkey enjoys abundant sunlight throughout the year, making it an ideal location for solar energy generation. The availability of solar resources positions the country as a favorable market for solar energy development.

Average factory solar storage price per 3MW in Turkey



Breaking down solar farm costs: Free template inside

How to properly understand and efficiently allocate the costs of your solar plant project. Bonus track included: a PV plant bill of quantities.

TURKEY'S SOLAR ENERGY SECTOR

A look at the past 600 MW licensed SPP tenders shows that although the tenders were conducted by increasing the fixed contribution price per MW capacity, investors offered prices that allowed ...



2MWh Energy Storage System With 1MW Solar

Flexible, Scalable Design For Efficient 2000kWh 2MWh Energy Storage System. With 1MW Off Grid Solar System For A Factory, Resort, or Town. EXW Price: US \$0.2-0.6 / Wh.

250KW 300KW 500KW Solar System Cost

Get factory costs of 250kw, 300kw, 400kw, and 500kw solar system at PVMARS. We provide solar plant installation, customization, and one-stop services



3 MW Solar Plant Project Details

3 MW Solar System Farms in India High-capacity Solar systems of over 100kW are called Solar Power Stations, Solar Farms, Energy Generating Stations, or Ground Mounted Solar Power ...



Canadian Solar Announces 2.3MW Solar Module Supply Agreement in Turkey

Canadian Solar Inc. announced that it has recently completed a delivery of 2.3MW of photovoltaic modules to a consortium of companies in Kayseri Organized Industry ...



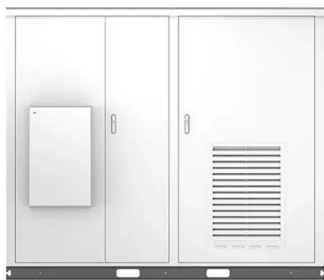
1MW Battery Energy Storage System

The MEGATRON 1MW Battery Energy Storage System (AC Coupled) is an essential component and a critical supporting technology for smart grid and renewable energy (wind and solar). The ...



Solar Panel kWh Calculator: kWh Production Per Day, ...

Here is how this solar output works: Let's say you have a 300-watt solar panel and live in an area with 5.50 peak sun hours per day. How many kWh does this solar panel produce in a day, a month, and a year? Just slide the 1st slider to ...



Energy storage in Turkey: 80GW Capacity Planned by 2030

As a player in new installed capacity, energy storage systems and their supporting battery industry are attracting increasing investment and attention worldwide. It is ...

How to Choose the Right Solar Inverter for Turkey's Power Needs?

Turkey's solar market is growing rapidly, driven by rising electricity prices, unstable power supply in remote areas, and convenient transportation access. This article ...



Turkey Solar Panel Manufacturing Report , Market

...

Explore Turkey solar panel manufacturing landscape through detailed market analysis, production statistics, and industry insights. Comprehensive data on capacity, costs, and growth.

SOLAR ENERGY IN TURKEY

SUMMARY Solar electricity capacity has increased substantially in the past decade, growing from 3 MW in 2008 to 921 MW in 2018. We expect capacity to keep increasing over the forecast ...



- Voltage range: 691.2-947.2V
- >6000 cycles (100% DOD)
- Rated battery capacity: 216KWH (customizable)
- EMS communications: 4G/CAN/RS485

Türkiye electricity data tools , Ember

Browse the most up-to-date solar energy potential map of Türkiye and compare it with the solar electricity generation map. You can examine the geographical distribution of ...



Efficient Higher Revenue

- Max. Efficiency 97.5%
- Max. PV Input Voltage 600V
- 100% Peak Output Power
- 2 MPPT Trackers, 100% DC Input Overvoltage
- Max. PV Input Current 55A, Compatible with High Power Modules

Intelligent Simple O&M

- IP65 Protection Degree: support outdoor installation
- Smart ITC Curve Diagnosis Function: locate PV string faults accurately and automatically detect faults
- DC & AC Type II SPD: prevent lightning damage
- Battery Reverse Connection Protection

Flexible Abundant Configuration

- Plug & Play, EPC Switching Under 10min
- Compatible with Lead-acid and Lithium Batteries
- Max. 6 Units Inverters Parallel
- MFC Function (Optional): when an arc fault is detected the inverter immediately stops operation

Cost Projections for Utility-Scale Battery Storage: 2021 ...

Executive Summary In this work we describe the development of cost and performance projections for utility-scale lithium-ion battery systems, with a focus on 4-hour duration ...

LPW48V100H
48.0V or 51.2V



Karapınar solar power plant

Karapınar Solar Power Plant (Turkish: Karapınar Güneş Enerjisi Santrali) is a photovoltaic power station in Konya Province, central Turkey. Built in the Renewable Energy Resource Area ...

1MWh-3MWh Energy Storage System With Solar Cost

How much does a 1mwh-3mwh energy storage system with solar cost? PVMars lists the costs of 1mwh-3mwh energy storage system (ESS) with solar here (lithium battery design).

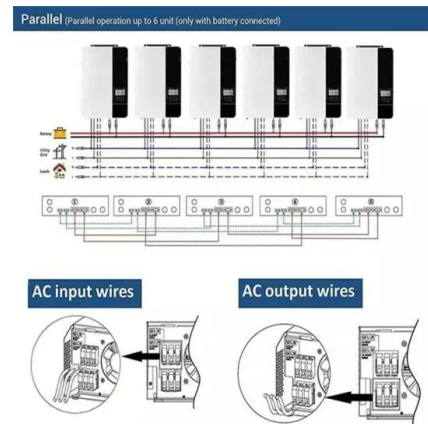


Understanding Solar Plant Cost Investments

Explore the financial aspects of solar energy with our insights on solar plant cost, factors affecting expenses, and tips for cost-efficient setups in India.

3kW Solar Panel System: Price in India, Subsidy, ...

3kW Solar Panel System Price in India with Subsidy For rooftop solar plants installed for residential use all over India, the following Central Financial Assistance (CFA)/ Central Government Subsidy are available.



DETAILS AND PACKAGING



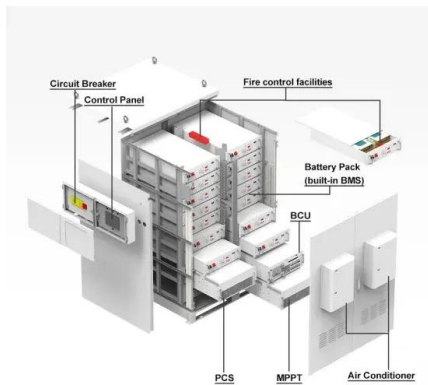
- 1 USER MANUAL PDF
- 2 RJ45 Cable For RS485/CAN
- 3 Battery in Parallel Cables
- 4 RJ45 TO USB Monitor Cable
- 5 M8 Terminal*4

Cost per mw of solar power

Of course, solar farms operate on a scale that is several orders of magnitude greater, which allows them to drive down per-unit costs through economies of scale. Types of utility-scale ...

3mw energy storage price

PVMars lists the costs of 1mwh-3mwh energy storage system (ESS) with solar here (lithium battery design). The price unit is each watt/hour, total price is calculated as: 0.2 US\$*2000,000 ...



Average Cost of Solar Panels for Homes (2024)

Learn the average cost of solar panels, including a pricing breakdown between hard costs like materials and soft costs like installation and labor.

1MW Solar Power Plant: Real Costs and Revenue Potential in 2024

A 1 MW solar power plant typically generates between 1,600 to 1,800 kilowatt-hours (kWh) per day under optimal conditions, translating to approximately 4-4.5 units of ...



China Factory 1MW 2MW 3MW 5MW Solar Panel Solar Power

...

China Factory 1MW 2MW 3MW 5MW Solar Panel Solar Power System 10kw Solar Panel Kit 10kva Off Grid Solar Power System Price Tanfon Solar APP Super Advantage: 1) One Phone remote ...

Top five solar PV plants in operation in Turkey

Of the total global solar PV capacity, 0.82% is in Turkey. Listed below are the five largest active solar PV power plants by capacity in Turkey, according to GlobalData's power ...



FLEXIBLE SETTING OF MULTIPLE WORKING MODES



Astronergy Turkey Factory Manufactured Panels Energize Local 7.3MW ...

Astronergy provided high-efficiency ASTRO N5 585W n-type solar modules, which were produced at its Turkey Manufacturing Base, for As Besin owned 7.3MW Agri-PV power plant in ...

Solar Panels System 30kw 50kw 100kw 150kw 200KW 500KW Solar ...

GREENSUN SOLAR Greensun Solar, found in 2004 in China, is TOP manufacturer of solar panels and storage batteries and complete Residential ESS and solar energy system with ...



How Much Does A Wind Turbine Cost?

According to HomeGuide, the average cost for a commercial wind turbine ranges from \$2.5 million to \$4 million, with prices typically around \$1 to \$1.25 million per megawatt. Onshore turbines generally have capacities ...

Residential Ground-Mount Solar System Wholesale Price List

Complete Residential Ground-Mount Solar Panel System Prices High-Performance Solar Panels, Inverters, Racking, and Storage Systems. Great for DIY. Or join our network of authorized ...

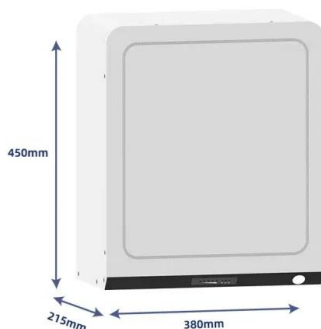


Ankara Energy Storage Prices: Trends, Insights, and Future Outlook

Let's cut to the chase: Ankara energy storage prices currently range from \$280 to \$350 per kWh for commercial systems [1]. But here's the kicker - that's 18% cheaper than Istanbul's rates.

5 MW Solar Power Plant Cost, Generation & Incentives

A 5 MW solar plant is a popular choice in commercial, industrial, and government segment. The cost typically ranges between INR18-INR19.5 crores.



Kalyon completes its 1.35 GW solar park Karapinar in ...

The Turkish company also said it expanded the capacity of its solar module factory near Ankara to 2 GW per year. In 2017, Kalyon Holding won Turkey's first solar power auction (YEKA-1 GES) with Hanwha Group from ...

1MW Solar Power Plant: Real Costs and Revenue ...

A 1 MW solar power plant typically generates between 1,600 to 1,800 kilowatt-hours (kWh) per day under optimal conditions, translating to approximately 4-4.5 units of electricity annually per installed kilowatt.



Contact Us

For catalog requests, pricing, or partnerships, please visit:
<https://naturesnursery.co.za>