

Global PV Storage Insights

Average gel battery storage price per 1GW in Vietnam



Overview

The average retail electricity price is determined periodically by calculating total production and business costs, plus a reasonable average profit margin, per kWh of commercial electricity.

The average retail electricity price is determined periodically by calculating total production and business costs, plus a reasonable average profit margin, per kWh of commercial electricity.

Peak load nationwide and by region in Vietnam from 2013 to 2023 21 FIGURE 9. Growth of national power system output from 2013 to 2023 22 FIGURE 10. Average retail electricity price in Vietnam from 2009 to 2024 23 FIGURE 11. Average domestic retail prices for petroleum products in Vietnam from 2008.

evaluated: \$200/kW + \$100/kWh. This converts to a total of \$400/kW all-in for a 2-hour B o switch to green electricity. We thus recommend raising the tariff to cover the costs of investing in more expensive sy evaluated: \$200/kW + \$100/kWh. This converts to a total of \$400/kW all-in for a 2-hour.

The Vietnam Gel Battery Market is experiencing steady growth due to rising demand for reliable and maintenance-free energy storage solutions. Gel batteries in Vietnam are widely used across renewable energy systems, backup power, telecommunications, and electric mobility. The market benefits from.

The Battery Energy Storage Systems (BESS) market in Vietnam is experiencing dynamic growth, driven by significant advancements in renewable energy integration, strategic partnerships, and technological innovations. As Vietnam continues its transition towards sustainable energy, the demand for BESS.

The Vietnam Battery Energy Storage Market is projected to witness mixed growth rate patterns during 2025 to 2029. The growth rate starts at 16.23% in 2025 and reaches 20.76% by 2029. By 2027, the Battery Energy Storage market in Vietnam is anticipated to reach a growth rate of 16.90%, as part of an.

Energy storage systems (ESS) are critical for balancing energy supply and demand, enhancing grid stability, and enabling the integration of renewable energy sources such as solar and wind. These systems cater to residential, commercial, and industrial applications, as well as utility-scale.

Average gel battery storage price per 1GW in Vietnam

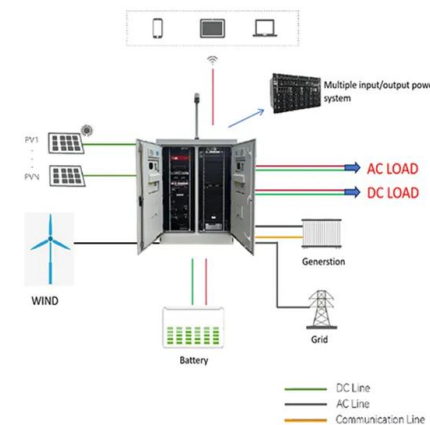


Vietnam Energy Storage Battery Sales Trends Applications and ...

Vietnam's energy storage battery market is booming, driven by renewable energy growth, industrial demand, and government initiatives. This article explores key applications, market ...

Vietnam Stationary Battery Storage Market Size and Forecasts 2030

The Vietnam Stationary Battery Storage Market focuses on the development, deployment, and operation of battery systems designed to store energy for use in residential, ...



How Battery Energy Storage Systems Can Transform Vietnam's ...

To address these challenges, Vietnam must transition to more reliable and sustainable energy solutions. Battery Energy Storage Systems (BESS) offer a transformative ...

2022 Grid Energy Storage Technology Cost and ...

The 2022 Cost and Performance Assessment provides the levelized cost of storage (LCOS).

The two metrics determine the average price that a unit of energy output would need to be sold at to cover all project costs inclusive of ...



Vietnam energy storage battery price inquiry

On 26 March 2024, EVN's Vice President Nguyen Tai Anh had a meeting with the Asian Development Bank (ADB) on a proposal draft for a pilot battery energy storage system (BESS) ...

Grid-Scale Battery Storage: Frequently Asked Questions

What is grid-scale battery storage? Battery storage is a technology that enables power system operators and utilities to store energy for later use. A battery energy storage system (BESS) is ...



Solar Battery Prices: Is It Worth Buying a Battery in ...

If that price rises at a conservative rate of 3% per year, the average customer would pay nearly \$92,000 for electricity over 20 years. Suddenly, home solar and battery storage don't seem so expensive...

Battery Storage Price Per kWh Explained , Huijue Group South

...

What's Driving Today's Battery Storage Prices? Let's cut through the hype. The average lithium-ion battery price dropped to \$139/kWh in 2023 according to BloombergNEF. But wait, no - ...

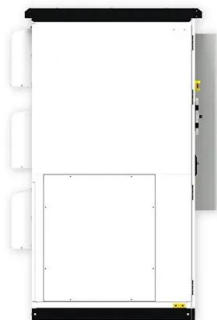


Tesla reveals Megapack prices: starts at \$1 million

Tesla has revealed more detailed pricing for the Megapack, its commercial and utility-scale energy storage product. It starts at \$1

Residential Battery Storage , Electricity , 2024 , ATB , NREL

Where P B = battery power capacity (kW), E B = battery energy storage capacity (\$/kWh), and c i = constants specific to each future year. Capital Expenditures (CAPEX) Definition: The bottom ...



Capital cost of utility-scale battery storage systems in ...

Capital cost of utility-scale battery storage systems in the New Policies Scenario, 2017-2040 - Chart and data by the International Energy Agency.

Vietnam Battery Companies

Vietnam Battery Company List Mordor Intelligence expert advisors identify the Top 5 Vietnam Battery companies and the other top companies based on 2024 market position. Get access to the business profiles of top 10 Vietnam Battery ...



Greece Launches Final Tender for 200 MW Battery ...

This round sets a maximum bid price of EUR 145,000 per MWh and is open to standalone battery proposals with four-hour storage durations. Targeted areas for the systems include Western Macedonia, a region ...

Vietnam Battery Energy Storage Systems Market Report

This report provides a comprehensive analysis of the Battery Energy Storage Systems market in Vietnam, offering insights into market dynamics, technological advancements, and strategic ...



Utility-Scale PV , Electricity , 2024 , ATB , NREL

For example, in 2014, the reported capacity-weighted average system price was higher than 80% of system prices in 2014 because very large systems with multiyear construction schedules ...

Battery storage tariff Vietnam

A battery energy storage system (BESS) will be retrofitted to a utility-scale solar PV power plant in Vietnam, in a pilot project aimed at supporting the spread of renewable energy in the country ...



Vietnam Battery Energy Storage Market (2025-2031) ...

The Vietnam battery energy storage market focuses on energy storage systems that use batteries to store electrical energy for various applications, including renewable energy integration and grid stabilization.

Charted: Lithium-Ion Batteries Keep Getting Cheaper

Declining Prices The average price of lithium-ion battery cells dropped from \$290 per kilowatt-hour in 2014 to \$103 in 2023. In the coming months, prices are expected ...



10+ Countries Join First-of-Its-Kind Consortium to Deploy 5 GW of

Battery storage solutions can have a catalytic impact to achieve a mass integration of renewable energy sources into the existing power systems and to achieve the ...

Vietnam Battery Energy Storage Market (2025-2031) ...

Vietnam Battery Energy Storage Market Size Growth Rate The Vietnam Battery Energy Storage Market is projected to witness mixed growth rate patterns during 2025 to 2029. The growth rate starts at 16.23% in 2025 and reaches 20.76% ...



Vietnam: A Techno

Vietnam has good potential for the development of offshore wind power and has big ambitions, but no projects are operational in the country yet. Offshore wind power on average would likely ...

How Much Does Commercial & Industrial Battery Energy Storage Cost Per ...

As of recent data, the average cost of commercial & industrial battery energy storage systems can range from \$400 to \$750 per kWh. Here's a breakdown based on ...



At \$139/kWh, Lithium-Ion Battery Pack Prices Hit All ...

As per the analysis, BNEF expects average battery pack prices to drop again next year, reaching \$133/kWh. On a regional basis, average battery pack prices were lowest in China, at \$126/kWh.

What is the Cost of BESS per MW? Trends and 2025 Forecast

The cost per MW of a BESS is set by a number of factors, including battery chemistry, installation complexity, balance of system (BOS) materials, and government ...



Real Cost Behind Grid-Scale Battery Storage: 2024 ...

The rapidly evolving landscape of utility-scale energy storage systems has reached a critical turning point, with costs plummeting by 89% over the past decade. This dramatic shift transforms the economics of grid-scale ...

Vietnam Solar Battery Solutions for Homes & Businesses

In Vietnam, the cost of residential and commercial solar battery storage systems is influenced by a variety of factors, including system capacity, battery chemistry, inverter compatibility, installation service fees, as well as ...



2022 Grid Energy Storage Technology Cost and ...

The 2020 Cost and Performance Assessment provided installed costs for six energy storage technologies: lithium-ion (Li-ion) batteries, lead-acid batteries, vanadium redox flow batteries, ...

Lithium-ion Battery Packs Touch Historic Low Price of ...

Lithium-ion (Li-ion) battery pack prices dropped 20% from 2023 to a record low of \$115/kWh, the most significant annual decline since 2017, according to BloombergNEF (BNEF). The price reflects a global average that ...



2022 Grid Energy Storage Technology Cost and Performance ...

The 2022 Cost and Performance Assessment provides the levelized cost of storage (LCOS). The two metrics determine the average price that a unit of energy output would need to be sold at ...

Pioneering Innovation with Vietnam's BESS Pilot Project

Enhancing Vietnam's Grid Stability with BESS
This study analyses and anticipates the challenges that may arise in frequency stability in Vietnam's power system by 2030, when the renewable energy integration is ...



1MWh-3MWh Energy Storage System With Solar Cost ...

PVMars lists the costs of 1mwh-3mwh energy storage system (ESS) with solar here (lithium battery design). The price unit is each watt/hour, total price is calculated as: $0.2 \text{ US\$} * 2000,000 \text{ Wh} = 400,000 \text{ US\$}$. When solar modules ...

Contact Us

For catalog requests, pricing, or partnerships, please visit:
<https://naturesnursery.co.za>