

Global PV Storage Insights

Average household energy storage price per 150MW in Peru



3.2v 280ah



Overview

This analysis includes a comprehensive Peru energy market report and updated datasets. It is derived from the most recent key economic indicators, supply and demand factors, oil and gas pricing trends and major energy issues and developments surrounding the energy industry.

This analysis includes a comprehensive Peru energy market report and updated datasets. It is derived from the most recent key economic indicators, supply and demand factors, oil and gas pricing trends and major energy issues and developments surrounding the energy industry.

The Ministry of Energy and Mines (MINEM) is in charge of the energy sector, through three main Directorates: the General Directorate of Hydrocarbons (DGH), the General Directorate of Electricity (DGE), and the General Directorate of Mines (DGM). Pluspetrol, a private company, carries out most of.

Small-scale lithium-ion residential battery systems in the German market suggest that between 2014 and 2020, battery energy storage systems (BESS) prices fell by 71%, to USD 776/kWh. With their rapid cost declines, the role of BESS for stationary and transport applications is gaining prominence.

Survey Design and Methodology Survey Results Estimating the Benefits of Rural Electrification Survey Questionnaire: Consumption of Energy Households in Rural Areas 100. Characteristics of House & Household 200. Characteristics of Household Members 300. Sources of Energy (Only for the Head of Home).

With over \$130 billion planned in mining sector investments needing reliable power solutions [1], and renewable energy tax incentives extended to 2035 [2] [3], Peru's storage market is hotter than a desert solar farm at noon. Sun-drenched landscapes. Ambitious policies. A mining sector hungry for.

In 2023, energy consumption per capita was 0.75 toe, which is around 45% below the Latin American average. Electricity consumption per capita was 1 500 kWh. Total energy consumption has increased rapidly since 2020

(5.5%/year) and reached 26 Mtoe in 2023. It increased at a similar rate between 2006.

6W monitors the market across 60+ countries Globally, publishing an annual market outlook report that analyses trends, key drivers, Size, Volume, Revenue, opportunities, and market segments. This report offers comprehensive insights, helping businesses understand market dynamics and make informed. How many solar and wind projects are there in Peru?

Peru has around 4 GW of solar and wind projects under development. The Ministry of Energy and Mines (MINEM) is in charge of the energy sector, through three main Directorates: the General Directorate of Hydrocarbons (DGH), the General Directorate of Electricity (DGE), and the General Directorate of Mines (DGM).

Is biomass a source of electricity in Peru?

Traditional biomass - the burning of charcoal, crop waste, and other organic matter - is not included. This can be an important source in lower-income settings. Peru: How much of the country's electricity comes from nuclear power?

Nuclear power - alongside renewables - is a low-carbon source of electricity.

What type of electricity is used in Peru?

Renewable electricity here is the sum of hydropower, wind, solar, geothermal, modern biomass and wave and tidal power. Traditional biomass - the burning of charcoal, crop waste, and other organic matter - is not included. This can be an important source in lower-income settings. Peru: How much of the country's electricity comes from nuclear power?

.

What are energy storage technologies?

Informing the viable application of electricity storage technologies, including batteries and pumped hydro storage, with the latest data and analysis on costs and performance. Energy storage technologies, store energy either as electricity or heat/cold, so it can be used at a later time.

How much energy does a person use per capita?

Electricity consumption per capita was 1 500 kWh. Total energy consumption has increased rapidly since 2020 (5.5%/year) and reached 26 Mtoe in 2023. It increased at a similar rate between 2006 and 2019 (around 5%/year), driven by rapid economic growth, and dropped by 16% in 2020 due to the Covid crisis.

What happened to battery energy storage systems in Germany?

Small-scale lithium-ion residential battery systems in the German market suggest that between 2014 and 2020, battery energy storage systems (BESS) prices fell by 71%, to USD 776/kWh.

Average household energy storage price per 150MW in Peru



Revenue Analysis for Energy Storage Systems in the United

...

Executive Summary In this work, we evaluate the potential revenue from energy storage using historical energy-only electricity prices, forward-looking projections of hourly electricity prices, ...

Cost Projections for Utility-Scale Battery Storage: 2023 ...

Executive Summary In this work we describe the development of cost and performance projections for utility-scale lithium-ion battery systems, with a focus on 4-hour duration ...



[Climatescope 2024 , Peru](#)

Investment in clean energy in Peru was around \$93.31 million in 2023, a decrease of 64.49% from 2022 (\$262.80 million). Between 2018 and 2023, the highest investment in clean energy was in ...

Energy transition and renewable energies: Challenges for Peru

Peru currently presents serious challenges in the promotion and production of renewable energies,

making it difficult to fulfill its commitments to reduce greenhouse gas ...



Efficient
Higher Revenue

• Max. Efficiency 97.5%
• Max. PV Input Voltage 600V
• 150% Peak Output Power
• 2 MPP Trackers, 150% DC Input Overvoltage
• Max. PV Input Current 15A, Compatible with High Power Modules

Intelligent
Simple O&M

• IP66 Protection Degree: support outdoor installation
• Smart ITC Curve Diagnosis Function: locate PV string faults accurately and automatically detect faults
• SC & AC Type II SPD: prevent lightning damage
• Battery Reverse Connection Protection

Flexible
Abundant Configuration

• Plug & Play, EPS Switching Under 10ms
• Compatible with Lead Acid and Lithium Batteries
• Max. 6 units Inverters Parallel
• AFCI Function (Optional): when an arc fault is detected the inverter immediately stops operation

1MWh Battery Energy Storage System Prices

The price of 1MWh battery energy storage systems is a crucial factor in the development and adoption of energy storage technologies. As the demand for reliable and ...

Energy storage prices in Q1 face market stabilization ...

This places downward pressure on energy storage prices and is a root cause of notable declining median system costs. Buyers for utility-scale projects are also benefiting from greater supplier options and discounts, both ...

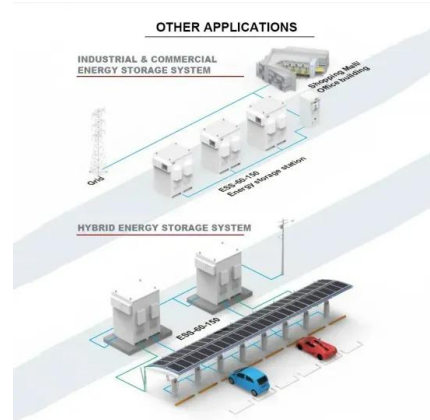


Perú desarrollará 14 centrales solares de casi 2,4 GW ...

El Ministerio de Energía y Minas (MINEM) anunció que el Perú cuenta con una cartera de 14 proyectos de centrales solares fotovoltaicas que aportarán 2.447 megavatios (MW) al Sistema Eléctrico Interconectado ...

Top 10 Energy Storage Trends in 2023

Energy storage system costs stay above \$300/kWh for a turnkey four-hour duration system. In 2022, rising raw material and component prices led to the first increase in energy storage system costs since BNEF started its ...



The Real Cost of Commercial Battery Energy Storage in 2025: ...

With fluctuating energy prices and the growing urgency of sustainability goals, commercial battery energy storage has become an increasingly attractive energy storage ...

What Does Green Energy Storage Cost in 2025?

In 2025, you're looking at an average cost of about \$152 per kilowatt-hour (kWh) for lithium-ion battery packs, which represents a 7% increase since 2021. Energy storage systems (ESS) for four-hour durations exceed \$300/kWh, marking the ...



Peru Energy Situation

This law and its regulation provides some incentives to private generators such as: a fixed guarantee price establish through public auctions, supply energy contracts up 20 years, priority in the energy dispatch and electricity network ...

2022 Grid Energy Storage Technology Cost and ...

The Department of Energy's (DOE) Energy Storage Grand Challenge (ESGC) is a comprehensive program to accelerate the development, commercialization, and utilization of next-generation energy storage technologies and sustain ...

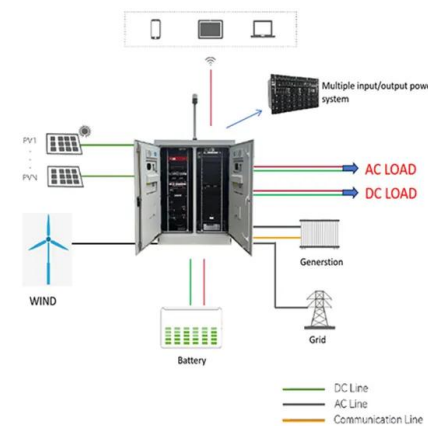


ENGIE Energía Perú will implement an Energy Storage System ...

The system will optimize the energy production of the ChilcaUno power plant and provide greater stability to the national electricity system, increasing its efficiency. The ...

Microsoft Word

6 An Xcel Energy solicitation in December 2017 (for delivery in 2023) garnered 87 PV-plus-storage bids at a median of \$36/MWh, equivalent to a storage adder of \$0.006/kWh for ...



What is the Cost of BESS per MW? Trends and 2025 Forecast

Introduction: The Ever-Changing Cost of Battery Energy Storage Systems (BESS) Battery Energy Storage Systems (BESS) are a game-changer in renewable energy. ...

Cost of Living in Peru. Prices in Peru. Updated Aug 2025

Average prices of more than 40 products and services in Peru. Prices of restaurants, food, transportation, utilities and housing are included.



Energy Storage in Peru: Why Investors Are Charging Up for ...

This Andean nation is quietly becoming a energy storage investment hotspot, blending solar-drenched landscapes with policy reforms sharper than an alpaca's haircut.

Engie unveils 26.5-MW BESS in Peru , Energy Storage News

Engie Energia Peru SA, part of French energy utility group Engie SA (EPA:ENGI), has inaugurated its 26.5-MW battery energy storage system (BESS) in the Lima ...



Costs of 1 MW Battery Storage Systems 1 MW / 1 ...

Discover the factors affecting the Costs of 1 MW Battery storage systems, crucial for planning sustainable energy projects, and learn about the market trends!

The state of battery storage (BESS) in Latin America: ...

The opportunities for battery energy storage systems are growing rapidly in Latin America. Below are some key details for those who want to understand and succeed in the BESS market. In 2010, the IEA projected ...



Real Cost Behind Grid-Scale Battery Storage: 2024 ...

The rapidly evolving landscape of utility-scale energy storage systems has reached a critical turning point, with costs plummeting by 89% over the past decade. This dramatic shift transforms the economics of grid-scale ...

Energy industry in Peru

Peru is in the top half of the ranked list of countries for such indicators as GDP per unit of energy use - 12 th out of 66 countries considered, while energy consumption per capita is much lower - 59th out of 66 countries.



Figure 1. Recent & projected costs of key grid

Meanwhile, the costs of pumped hydro storage are expected to remain relatively stable in the coming years, maintaining its position as the cheapest form - in terms of \$/kWh - ...

U.S. Solar Photovoltaic System and Energy Storage Cost

U.S. Solar Photovoltaic System and Energy Storage Cost Benchmarks, With Minimum Sustainable Price Analysis: Q1 2022 Vignesh Ramasamy,1 Jarett Zuboy,1 Eric ...

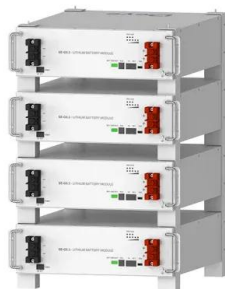


Innovation, Strategic Investment in Renewable Energies, and ...

The study also anticipates that electricity spot prices in Peru will stabilize in the long term, thanks to the diversification of the energy matrix and the greater participation of ...

Peru: National Survey of Rural Household Energy Use

The price paid per kWh from the Survey (including fixed and variable, as well as other charges such as lighting), varied from a low of 0.47 soles/kWh in the Coastal South Coast region to a ...



Deye Official Store

10 years
warranty

Residential Battery Storage , Electricity , 2024 , ATB

The battery storage technologies do not calculate levelized cost of energy (LCOE) or levelized cost of storage (LCOS) and so do not use financial assumptions. Therefore, all parameters are the same for the research and development ...

Peru Energy Information

Total energy consumption has increased rapidly since 2020 (5.5%/year) and reached 26 Mtoe in 2023. It increased at a similar rate between 2006 and 2019 (around 5%/year), driven by rapid economic growth, and dropped by 16% in ...



Peru - pv magazine International

Peru's Ministry of Energy and Mines (MINEM) says the country installed 115.5 MW of new solar capacity in the first half of 2024, bringing the nation's total installed PV capacity to around 400 MW.

Peru Residential Energy Storage Market (2025-2031) , Trends

Historical Data and Forecast of Peru Residential Energy Storage Market Revenues & Volume By Operation Type for the Period 2021 - 2031 Peru Residential Energy Storage Import Export ...



The Real Cost of Commercial Battery Energy Storage ...

With fluctuating energy prices and the growing urgency of sustainability goals, commercial battery energy storage has become an increasingly attractive energy storage solution for businesses. But what will the ...

Contact Us

For catalog requests, pricing, or partnerships, please visit:
<https://naturesnursery.co.za>