

## Global PV Storage Insights

# Average lithium iron phosphate battery price per 500kW in Azerbaijan



## Overview

---

Lithium iron phosphate is an inorganic grey-black coloured compound which is insoluble in water. It is widely used to make lithium-ion batteries because of its good electrochemical performance and lower resistance.

## Average lithium iron phosphate battery price per 500kW in Azerbaij

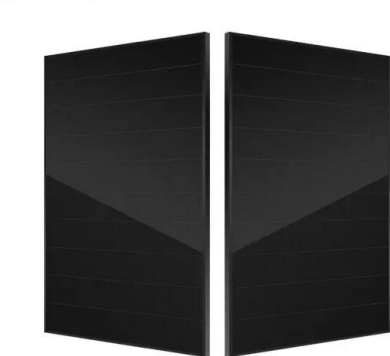
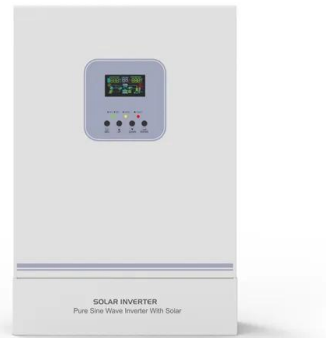


### How Much Does a Lithium Battery Cost in 2025

As of 2023, the average price for lithium-ion battery packs is approximately \$139 per kilowatt-hour (kWh). This price point reflects a significant decrease from previous years, making lithium-ion batteries more accessible for ...

### Understanding Lithium-Ion Battery Cost: What Affects ...

Lithium-ion batteries have revolutionized the way we store and utilize energy, powering everything from smartphones to electric vehicles. As the demand for renewable energy sources and electric technology continues to ...



### Projected Price Per kWh of Lithium-Ion Batteries by 2030:

...

Battery Costs Today As of 2023, the average price of lithium-ion batteries is about \$130 per kWh. For a standard EV with a 60 kWh battery, that translates to A study by ...

### What Determines Rack Battery Cost per kWh in 2025?

Rack battery cost per kWh ranges from \$150 to \$400 in 2024, depending on chemistry, capacity, and supply chain factors. Lithium-ion dominates

the market due to higher ...

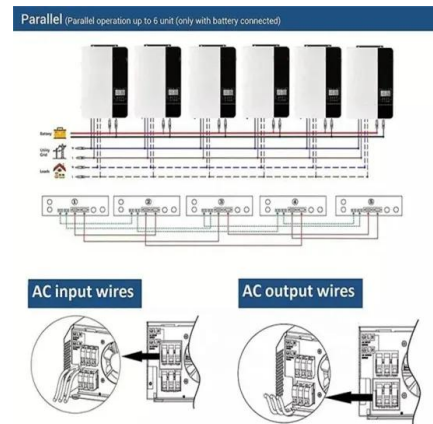


## Lithium Iron Phosphate Price Trend, Index, News, Chart

Procurement Resource provides latest Lithium Iron Phosphate prices and a graphing tool to track prices over time, compare prices across countries, and customize price data.

## The Lithium-ion Battery Market Sees Monumental Price Reduction

Global lithium-ion battery prices have plunged 20%, bringing prices below US\$100 per kWh for electric vehicles and energy storage systems, making EVs and BESS ...



## Battery cell prices fall to record low in September, says report

The weaker battery prices were led by lithium iron phosphate (LFP) cells, which dropped to \$59 per per kilowatt hour (kWh) in September, based on weighted average prices.

## Lithium-Ion Battery Pack Prices See Largest Drop ...

New York, December 10, 2024 - Battery prices saw their biggest annual drop since 2017. Lithium-ion battery pack prices dropped 20% from 2023 to a record low of \$115 per kilowatt-hour, according to analysis by research provider ...

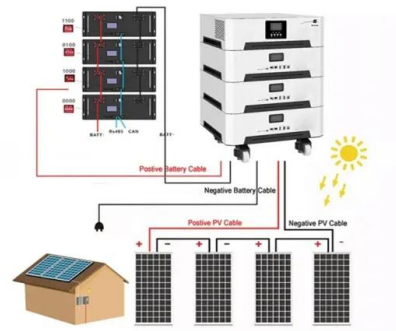


## Lithium-ion battery pack prices fall 20% in 2024

Lithium-ion battery prices have fallen 20% to US\$115 per kWh this year, going below US\$100 for electric vehicles (EVs), BloombergNEF said.

## Lithium-ion battery pack prices fall 20% in 2024 amidst 'fight for

Global average lithium-ion battery pack prices have fallen 20% to US\$115 per kWh this year, going below US\$100 for electric vehicles (EVs), BloombergNEF said. The 20% ...



## Electric Vehicle Battery Packs Experience Record Price Drop in ...

The electric vehicle (EV) industry has received a major boost with the steepest decline in lithium-ion battery pack prices in seven years, as reported by BloombergNEF's ...

## Cost of 1 kWh Lithium-ion Batteries in India: Current ...

Explore the latest rates and market trends for 1 kwh lithium ion battery price in India. Find affordable options for your energy needs.



## Lithium ion battery cell price

Lithium ion battery cell price Average price of battery cells per kilowatt-hour in US dollars, not adjusted for inflation. The data includes an annual average and quarterly average prices of different lithium ion battery ...

## Lithium Markets in Limbo: Next Leg Up or Down?

What Drives Lithium Battery Prices Down? In the past year, the price of lithium iron phosphate (LFP) battery cells in China has dropped 51% to an average of \$53 per kilowatt-hour (kWh), which is significantly lower than the ...



## 500kW Battery Energy Storage System

Each commercial and industrial battery energy storage system includes Lithium Iron Phosphate (LiFePO4) battery packs connected in high voltage DC configurations. Battery Systems come ...

## LFP (ESS Powder density $\geq 2.30\text{g/cm}^3$ ) Price, USD/mt

Price to Factory (VAT included); 0.1C discharge gram capacity  $\geq 155\text{mAh/g}$ , powder compaction density  $\geq 2.30\text{g/cm}^3 (\pm 0.02)$  (under the three-ton press scenario), and the ...



## LiFePO4 battery (Expert guide on lithium iron phosphate)

Lithium Iron Phosphate (LiFePO4) batteries continue to dominate the battery storage arena in 2025 thanks to their high energy density, compact size, and long cycle life. ...

## Lithium Battery Cost: Is It Worth the Higher Price?

Yes, Lithium battery cost is worth it due to its higher lifespan, better capacity, lesser maintenance, higher energy density, and better performance.



- Voltage range: 691.2-947.2V
- >6000 cycles (100% DOD)
- Rated battery capacity: 216kWh (customizable)
- EMS communication: 4G/CAN/RS485

## 2024 Pricing Guide for Battery Cells: What to Expect

Explore the latest trends and forecasts for battery cell prices in India for 2024. Find expert analysis on costs and market factors impacting pricing.

## Battery Cost Per Kwh Chart , Battery Tools

What is the price of 24 kWh battery? The price of a 24 kWh battery can vary depending on the type of battery, the manufacturer, and other factors. However, as a general rule of thumb, a 24 kWh lithium-ion battery can cost anywhere ...



## The price of a 500 kWh lithium-ion battery

The price of a 500 kWh lithium-ion battery can vary significantly depending on several factors. Here is a detailed analysis of the price range and the factors influencing it: 1. ...

## How Much Do Lithium Iron Phosphate Batteries Cost ...

These high-capacity batteries often include advanced features and require more substantial investment in manufacturing and quality control, resulting in higher costs. How Much do Lithium Iron Phosphate Batteries Cost ...



## Prices of Lithium Batteries: A Comprehensive Analysis

Lithium battery prices fluctuate due to raw material costs (e.g., lithium, cobalt), manufacturing innovations, geopolitical factors, and demand surges from EVs and renewable ...



## Wave of Decline Sweeps Lithium-Ion Battery Pack Pricing, in ...

Lithium-ion battery pack prices dropped 20% in 2024, reaching \$115/kWh. EV battery prices dip below \$100/kWh--explore the trends behind this decline.



## Lithium vs. Lead-Acid Batteries: A Dollar per kWh per Year Cost

Now, the battery math Let's combine all the factors and calculate the cost per kWh per year to see which option offers a better deal. Cost per kWh per year for lead-acid ...

## How Much Does a Lithium-Ion Battery Cost in 2025?

Lithium Iron Phosphate (LFP) batteries are often used as a power source in RVs, boats, and electric scooters. Most LFP batteries cost \$120 to \$1,950 and the average ...



## [Lithium ion battery cell price](#)

The data includes an annual average and quarterly average prices of different lithium ion battery chemistries commonly used in electric vehicles and renewable energy storage.

## Battery price per kwh 2025, Statista

The cost of lithium-ion batteries per kWh decreased by 20 percent between 2023 and 2024. Lithium-ion battery price was about 115 U.S. dollars per kWh in 202.



## LiFePO4 batteries sorted by price per kWh

Hello, I'd like to share a tool I made that sorts LiFePO4 batteries on Amazon by their price per kWh. <https://> To be completely transparent: - @Will ...

## Lithium-Ion Battery Pack Prices Hit Record Low of ...

BloombergNEF's annual battery price survey finds a 14% drop from 2022 to 2023 New York, November 27, 2023 - Following unprecedented price increases in 2022, battery prices are falling again this year. The price of ...

18650<sup>3.7V</sup>  
Li-ion  
RECHARGEABLE BATTERY  
**2000mAh**



## Lithium Markets in Limbo: Next Leg Up or Down?

What Drives Lithium Battery Prices Down? In the past year, the price of lithium iron phosphate (LFP) battery cells in China has dropped 51% to an average of \$53 per kilowatt ...

## How Much Does a Lithium Battery Cost in 2025

As of 2023, the average price for lithium-ion battery packs is approximately \$139 per kilowatt-hour (kWh). This price point reflects a significant decrease from previous years, ...



## Contact Us

---

For catalog requests, pricing, or partnerships, please visit:  
<https://naturesnursery.co.za>