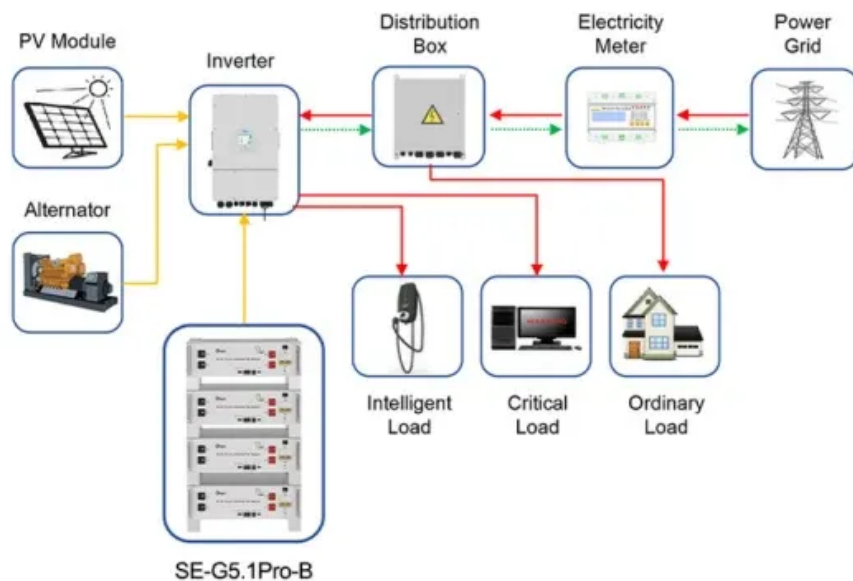


## Global PV Storage Insights

# Average lithium iron phosphate battery price per 50MW in Philippines



Application scenarios of energy storage battery products

## Overview

---

Lithium iron phosphate is an inorganic grey-black coloured compound which is insoluble in water. It is widely used to make lithium-ion batteries because of its good.

Note: Our supplier search experts can assist your procurement teams in compiling and validating a list of suppliers indicating they have products, services, and.

One of the methods to produce Lithium iron phosphate is via liquid phase synthesis process, which requires the addition of a solvent to the raw materials in an inert gas.

The displayed pricing data is derived through weighted average purchase price, including contract and spot transactions at the specified locations unless otherwise.

Procurement Resource provides latest Lithium Iron Phosphate prices and a graphing tool to track prices over time, compare prices across countries, and customize price data.

Procurement Resource provides latest Lithium Iron Phosphate prices and a graphing tool to track prices over time, compare prices across countries, and customize price data.

Get the latest insights on price movement and trend analysis of Lithium Iron Phosphate in different regions across the world (Asia, Europe, North America, Latin America, and the Middle East & Africa). Lithium Iron Phosphate Price Trend for the First Half of 2024 During the first half of 2024, the.

The data includes an annual average and quarterly average prices of different lithium ion battery chemistries commonly used in electric vehicles and renewable energy storage. Jul 1, 2014 Aug 15, 2024 Apr 26, 2017 Sep 8, 2018 Jan 21, 2020 Jun 4, 2021 0 \$/kWh 50 \$/kWh 100 \$/kWh 150 \$/kWh 200 \$/kWh.

However, we will compare the LiFePO<sub>4</sub> battery price of the top 10 selling models. Part 1. What affects LiFePO<sub>4</sub> battery price?

From raw material to manufacturing and capacity to battery chemistry, all the factors affect the LiFePO<sub>4</sub> battery price. Let's discuss everything that determines lithium.

During the first quarter of 2025, the lithium iron phosphate prices in the USA reached 13440 USD/MT in March. As per the lithium iron phosphate price chart, prices in the US were influenced by a complex interplay of factors, including the rising demand for electric vehicles (EVs) and energy storage.

In 2024, the average global prices of lithium-ion batteries dropped by 20%, reaching \$115 per kWh. For electric vehicle batteries, the price fell below \$100 per kWh Why Are Lithium Battery Prices Falling?

In 2024, the prices of lithium-ion battery cells have experienced a sharp decline, reaching.

“Battery pack price” refers to the volume-weighted average pack price of lithium-ion batteries across the electric vehicles and battery storage sectors. 2025 refers to data up to end of March 2025. Price of selected battery metals and lithium-ion battery packs, 2015-2025 - Chart and data by the. What is the cost of lithium iron phosphate?

The price of lithium iron phosphate material is currently 30,000 ~ 40,000 yuan/ton. It is expected to drop to 25,000 ~ 35,000 yuan/ton in the next two years. Lithium iron phosphate batteries are applied in various fields such as new energy vehicles, energy storage, electric ships, and other power fields.

What is a lithium phosphate battery?

Lithium iron phosphate (LFP) and lithium nickel manganese cobalt oxide (NCM) are two types of rechargeable batteries commonly used in electric vehicles and renewable energy storage. with minor processing Average price of battery cells per kilowatt-hour in US dollars, not adjusted for inflation.

How much does a lithium battery cost in China?

Meanwhile, the stationary storage market has surged, with intense competition among cell and system suppliers, particularly in China. Regionally, the average prices of lithium battery packs were lower in China, at \$94 per kWh, while prices in the U.S. and Europe were 31% and 48% higher, respectively.

Where can I buy a lithium iron phosphate battery?

You can buy a lithium iron phosphate battery on AliExpress. In AliExpress, you can also find other good deals on battery! Keep an eye out for promotions and deals, so you get a big saving on a lithium iron phosphate battery.

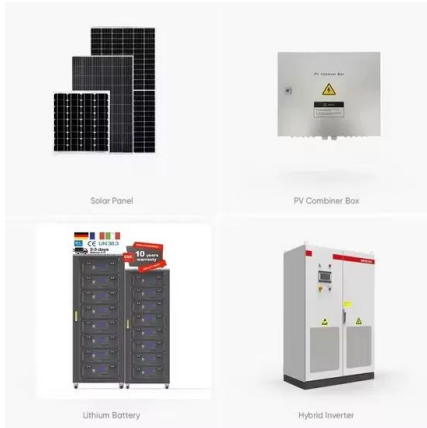
How many kilowatt-hour lithium iron phosphate batteries will CATL supply?

CATL will supply 42 kilowatt-hour lithium iron phosphate batteries for the U.S. commercial electric vehicle ELMS and ensure battery supply through 2025. Tesla has reportedly ordered 45GWh lithium iron phosphate batteries from CATL for next 2022's planned sales, mainly for Model 3 and Model Y vehicles.

How much does a lithium ion battery cost?

The electric vehicle market, the primary driver for lithium-ion batteries, grew more slowly than in previous years but still showed the lowest price at \$97 per kWh. Meanwhile, the stationary storage market has surged, with intense competition among cell and system suppliers, particularly in China.

## Average lithium iron phosphate battery price per 50MW in Philippines



### Lithium-ion battery pack prices fall 20% in 2024

Lithium-ion battery prices have fallen 20% to US\$115 per kWh this year, going below US\$100 for electric vehicles (EVs), BloombergNEF said.

### How Lithium Battery Prices Are Changing In 2025

In 2025, the average lithium battery price per kilowatt-hour (kWh) continues to fall. Most industry forecasts place the global average between \$85 and \$100 per kWh, with ...



### [Lithium ion battery cell price](#)

The data includes an annual average and quarterly average prices of different lithium ion battery chemistries commonly used in electric vehicles and renewable energy storage.

### 50 to 200kW Battery Energy Storage Systems

Flexible Voltage Configurations: Compatible with 380/400/415 VAC, at 50/60Hz, 3-phase Robust Battery Technology: Equipped with Lithium Iron Phosphate (LiFePO4) batteries, these systems ...



## Record-Low EV Battery Prices in 2023

On average, LFP cells were 32% cheaper than lithium nickel manganese cobalt oxide (NMC) cells in 2023," BNEF writes. Forecast: Record Low Battery Prices Again In 2024, ...



## Chart: Lithium-ion battery prices fall yet again , Canary Media

That includes batteries. The average price of a lithium-ion battery pack fell 20 percent this year to \$ 115 per kilowatt-hour -- the biggest drop since 2017, according to clean ...



## Top Solar LiFePO4 Batteries in the Philippines

1. GD Battery 12v 100Ah Price: PHP6,500  
 Price/Wh: PHP6.77 Capacity: 100Ah Tested Capacity: 75Ah Info: I believe the cells being used inside are used 90Ah Eve cells. They are bloated so we don't know how long will they last. I will use ...

## Prices of Lithium Battery Packs and Cells: Updated Data

The decline in prices is attributed to several factors, including excess battery cell production capacity, economies of scale, low metal and component prices, and the adoption of low-cost lithium iron phosphate (LFP) ...

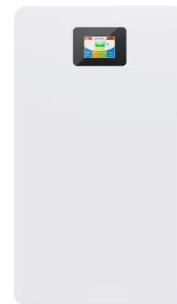


## Lithium Ion Battery Price Guide: 12V, 24V, and More ...

Understanding the price ranges for different types, including 12V and 24V options, and recognizing the factors that influence these prices can greatly aid consumers in making informed decisions. By conducting thorough ...

## Lithium Iron Phosphate Price Trend and Chart 2025

The report explores the lithium iron phosphate trends and lithium iron phosphate price chart in the Middle East and Africa, considering factors like regional industrial ...



## Costs of 1 MW Battery Storage Systems 1 MW / 1 ...

The cost of a 1 MW battery storage system is influenced by a variety of factors, including battery technology, system size, and installation costs. While it's difficult to provide an exact price, industry estimates suggest a range ...

## 10 Best LiFePo4 Battery Price Comparison in 2025

Lithium iron phosphate, commonly known as LiFePO<sub>4</sub> battery, is most popular due to its long lifespan, impressive power output, and added safety features. It is a reliable power source for RVs, EVs, energy storage systems, ...



### [lithium iron phosphate](#)

Shop lithium iron phosphate for sale online on Shopee Philippines! Read user reviews and discover exciting promos. Enjoy great prices on lithium iron phosphate and other products!



## Wave of Decline Sweeps Lithium-Ion Battery Pack Pricing, in ...

Lithium-ion battery pack prices dropped 20% in 2024, reaching \$115/kWh. EV battery prices dip below \$100/kWh--explore the trends behind this decline.



### [Battery Cost per kWh](#)

According to BloombergNEF, the global average price of lithium-ion battery packs in 2020 was \$137 per kWh --an 89% drop from 2010. This marked a major milestone ...



## Energy Storage in Europe

2023 BNEF global average 2024 2024 Mainland China China year-to-date year-to-date Source: BloombergNEF, ICC Battery. Note: 2023 price from BNEF's Lithium-ion Battery Price Survey. ...



## **Lithium-Ion Battery Pack Prices See Largest Drop ...**

New York, December 10, 2024 - Battery prices saw their biggest annual drop since 2017. Lithium-ion battery pack prices dropped 20% from 2023 to a record low of \$115 per kilowatt-hour, according to analysis by research provider ...

## 1MW Battery Energy Storage System

Each commercial and industrial battery energy storage system includes Lithium Iron Phosphate (LiFePO4) battery packs connected in high voltage DC configurations (1,075.2V~1,363.2V). ...



## **LFP (ESS Powder density $\geq 2.30\text{g/cm}^3$ ) Price, USD/mt**

Price to Factory (VAT included); 0.1C discharge gram capacity  $\geq 155\text{mAh/g}$ , powder compaction density  $\geq 2.30\text{g/cm}^3$  ( $\pm 0.02$ ) (under the three-ton press scenario), and the ...

## Price of selected battery metals and lithium-ion battery packs, ...

Price of selected battery metals and lithium-ion battery packs, 2015-2025 - Chart and data by the International Energy Agency.



## Where will lithium-ion battery prices go in 2025?

"This is anticipated to support the prices of key battery materials--such as [lithium iron phosphate] LFP, li-ion battery copper foil, and electrolytes--thereby stabilizing average battery cell prices in the first quarter ...

## IEA Report: LFP Dominates as EV Battery Prices Fall

The following summary explores the key developments in the EV battery sector, examining how falling prices, China's growing competitive advantage, and the rise of lithium-iron-phosphate (LFP) technology are ...



## 10 Best LiFePo4 Battery Price Comparison in 2025

Find the most affordable option with the best features & warranty. Top 10 LiFePO4 price comparisons will help you choose your perfect LiFePO4 battery.

## Chart: Lithium-ion battery prices fall yet again , Canary ...

That includes batteries. The average price of a lithium-ion battery pack fell 20 percent this year to \$ 115 per kilowatt-hour -- the biggest drop since 2017, according to clean energy research firm BloombergNEF's newly ...



## Rising Prices in the Lithium Iron Phosphate (LFP) Battery Market: ...

The lithium iron phosphate (LFP) battery market has experienced significant price hikes in 2025, influenced by various factors, including production difficulties and escalating raw ...

## Lithium-Ion Battery Costs Hit Record Low, Survey Finds

The average cost per kWh of a lithium-ion battery was \$790 in 2013. BNEF said it expects average battery pack prices to drop again next year to \$133/kWh, then to \$80/kWh in ...



- LiFePO<sub>4</sub> Battery, safety
- Wide temperature: -20~55°C
- Modular design, easy to expand
- The heating function is optional
- Intelligent BMS
- Cycle Life: > 6000
- Warranty: 10 years



## Lithium Iron Phosphate Price Trend, Index, News, Chart

Procurement Resource provides latest Lithium Iron Phosphate prices and a graphing tool to track prices over time, compare prices across countries, and customize price data.

## Battery cell prices reach all time low in September as LFP falls ...

Global battery cell prices fell to an all time low in September, led by lithium iron phosphate (LFP) cell prices slipping below \$60 per kilowatt hours (kWh) for the first time in over three years ...



## Cost Factors and Economic Viability of LiFePO4 Batteries

The cost of raw materials plays a significant role in determining the price of LiFePO4 batteries. Key materials include lithium, iron, and phosphate: Lithium Iron Phosphate: ...

## Understanding Battery Storage Costs per Megawatt in 2024

The Chemistry of Savings LFP Batteries: Lithium iron phosphate now undercuts NMC cells by 15% with better safety Second-Life Batteries: Using retired EV batteries cuts costs 30-40% ...



## Compare Energy Cost of Battery Chemistries , Fortress Power

Our engineers have studies and tested Lithium Iron Phosphate (LFP or LiFePO4), Lithium Ion (Lithium Nickel Manganese Cobalt) and Lithium Polymer (LiPo), Flood Lead Acid, ...

## Contact Us

---

For catalog requests, pricing, or partnerships, please visit:  
<https://naturesnursery.co.za>