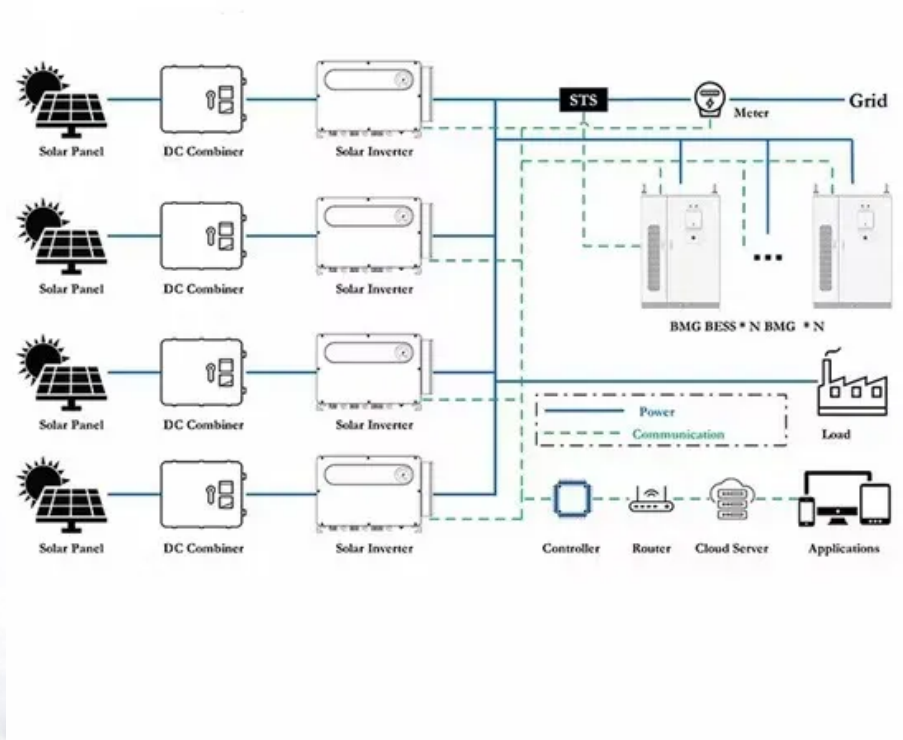


Global PV Storage Insights

Average lithium iron phosphate battery price per 5MW in Zambia



Overview

Lithium iron phosphate is an inorganic grey-black coloured compound which is insoluble in water. It is widely used to make lithium-ion batteries because of its good electrochemical performance and lower resistance.

Average lithium iron phosphate battery price per 5MW in Zambia



LiFePO4 battery (Expert guide on lithium iron phosphate)

Lithium Iron Phosphate (LiFePO4) batteries continue to dominate the battery storage arena in 2025 thanks to their high energy density, compact size, and long cycle life. You'll find these batteries in a wide range of ...

Lithium-ion Battery Pack Prices Rise for First Time to ...

BloombergNEF's annual battery price survey finds prices increased by 7% from 2021 to 2022 New York, December 6, 2022 - Rising raw material and battery component prices and soaring inflation have led to the first ...



Chart: Lithium-ion battery prices fall yet again , Canary Media

That includes batteries. The average price of a lithium-ion battery pack fell 20 percent this year to \$ 115 per kilowatt-hour -- the biggest drop since 2017, according to clean ...

LFP (ESS Powder density $\geq 2.30\text{g/cm}^3$) Price, USD/mt

Price to Factory (VAT included); 0.1C discharge gram capacity $\geq 155\text{mAh/g}$, powder compaction

density $\geq 2.30\text{g/cm}^3$ (± 0.02) (under the three-ton press scenario), and the ...



Wave of Decline Sweeps Lithium-Ion Battery Pack Pricing, in ...

Lithium-ion battery pack prices dropped 20% in 2024, reaching \$115/kWh. EV battery prices dip below \$100/kWh--explore the trends behind this decline.



What Is the Lithium Iron Phosphate Battery Price?

Estimating the lithium iron phosphate battery price is much more difficult as prices vary by brand and added features. However, we can discuss the common price tag you can expect from a specific LiFePO4 battery capacity.

18650^{3.7V}
 Li-ion
RECHARGEABLE BATTERY
2000mAh



Lithium Iron Phosphate batteries - Pros and Cons

A typical lead acid battery can weigh 180 lbs. each, and a battery bank can weigh over 650lbs. These LFP batteries are based on the Lithium Iron Phosphate chemistry, which is one of the safest Lithium battery ...

Chart: Lithium-ion battery prices fall yet again , Canary ...

That includes batteries. The average price of a lithium-ion battery pack fell 20 percent this year to \$ 115 per kilowatt-hour -- the biggest drop since 2017, according to clean energy research firm BloombergNEF's newly ...



CATL, BYD To Slash Battery Prices By 50% In 2024. BOOM!

CATL says it will begin selling LFP battery cells in the VDA format at price less than \$60 per kWh hour by the middle of this year.

Lithium Phosphate Price Trend, Latest Price, News & Price Index

Lithium Phosphate Regional Price Overview Get the latest insights on price movement and trend analysis of Lithium Phosphate in different regions across the world (Asia, Europe, North ...



[Energy Storage in Europe](#)

2023 BNEF global average 2024 2024 Mainland China China year-to-date year-to-date Source: BloombergNEF, ICC Battery. Note: 2023 price from BNEF's Lithium-ion Battery Price Survey. ...

Battery price per kwh 2025, Statista

The cost of lithium-ion batteries per kWh decreased by 20 percent between 2023 and 2024. Lithium-ion battery price was about 115 U.S. dollars per kWh in 202.



Modular design,
 unlimited combinations in parallel
BUILT-IN DUAL FIRE PROTECTION MODULE



Lithium ion battery cell price

The data includes an annual average and quarterly average prices of different lithium ion battery chemistries commonly used in electric vehicles and renewable energy storage.

Lithium-Ion Battery Pack Prices Hit Record Low of ...

BloombergNEF's annual battery price survey finds a 14% drop from 2022 to 2023 New York, November 27, 2023 - Following unprecedented price increases in 2022, battery prices are falling again this year. The price of ...



Lithium-Ion Battery Costs: Price Trends, Factors, and Current Prices

Lithium-ion battery costs vary widely. Prices range from \$10 to \$20,000 based on use. Electric vehicle batteries average \$4,760 to \$19,200. Solar batteries typically cost ...

How Much Does a Lithium-Ion Battery Cost in 2025?

Lithium Iron Phosphate (LFP) batteries are often used as a power source in RVs, boats, and electric scooters. Most LFP batteries cost \$120 to \$1,950 and the average ...



Cost Projections for Utility-Scale Battery Storage: 2023 ...

Battery cost projections for 4-hour lithium-ion systems, with values normalized relative to 2022. The high, mid, and low cost projections developed in this work are shown as bolded lines.

With EV Battery Prices Expected to Drop 50%, LFP Market Is ...

This is the only publicly listed company that is fully dedicated to extracting and purifying phosphate for the production of cathode active material for the Lithium Iron Phosphate ("LFP") ...



Lithium ion Battery , Freedom Won , Solar Guys Zambia

Exclusive Zambian Freedom Won Battery Agents. 10 Year Warranty. Battery range from 5kWh up to 80kWh, Commercial and Industrial 100kWh - 2.5MW

Phosphorus Price, Phosphate Ore Prices, Phosphorus Chemical ...

SMM brings you the current prices and historical price charts of phosphorus, such as phosphate ore prices, iron phosphate prices, lithium iron phosphate prices, phosphoric ...



How Much Do Lithium Iron Phosphate Batteries Cost

The average cost of lithium iron phosphate (LiFePO₄) batteries typically ranged from £140 to £240 per kilowatt-hour (kWh). However, it is important to note that actual cost per ...

The cost of a 2MW battery storage system

On average, the cost of lithium-ion battery cells can range from \$0.3 to \$0.5 per watt-hour. For a 2MW (2,000 kilowatts) battery storage system, if we assume an average ...



Compare Energy Cost of Battery Chemistries

Our engineers have studies and tested Lithium Iron Phosphate (LFP or LiFePO₄), Lithium Ion (Lithium Nickel Manganese Cobalt) and Lithium Polymer (LiPo), Flood Lead Acid, AGM and Nickel Iron batteries. We ...

Lithium-Ion Battery Costs Hit Record Low, Survey ...

The average cost per kWh of a lithium-ion battery was \$790 in 2013. BNEF said it expects average battery pack prices to drop again next year to \$133/kWh, then to \$80/kWh in 2030.



Battery cell prices fall to record low in September, says report

The weaker battery prices were led by lithium iron phosphate (LFP) cells, which dropped to \$59 per per kilowatt hour (kWh) in September, based on weighted average prices.

Lithium-Ion Battery Pack Prices See Largest Drop ...

New York, December 10, 2024 - Battery prices saw their biggest annual drop since 2017. Lithium-ion battery pack prices dropped 20% from 2023 to a record low of \$115 per kilowatt-hour, according to analysis by research provider ...



Utility-Scale Battery Storage , Electricity , 2024 , ATB , NREL

The 2024 ATB represents cost and performance for battery storage with durations of 2, 4, 6, 8, and 10 hours. It represents lithium-ion batteries (LIBs)--primarily those with nickel manganese ...

Utility-Scale Battery Storage , Electricity , 2023 , ATB

The 2023 ATB represents cost and performance for battery storage across a range of durations (2-10 hours). It represents lithium-ion batteries (LIBs) - primarily those with nickel manganese cobalt (NMC) and lithium iron ...

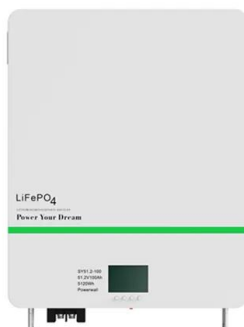


Specifications and Prices of Lithium Iron Phosphate Batteries: A

Conclusion Lithium iron phosphate batteries are a superb choice for those seeking efficient, long-lasting power solutions. Whether you need a battery for high cranking ...

Understanding Battery Storage Costs per Megawatt in 2024

The Chemistry of Savings LFP Batteries: Lithium iron phosphate now undercuts NMC cells by 15% with better safety Second-Life Batteries: Using retired EV batteries cuts costs 30-40% ...



5mw lithium iron phosphate energy storage battery price

What is ZYC energy's new lithium iron phosphate storage system? China-based battery manufacturer ZYC Energy has presented a new lithium iron phosphate (LiFePO4) storage ...

Contact Us

For catalog requests, pricing, or partnerships, please visit:
<https://naturesnursery.co.za>