

Global PV Storage Insights

Average nickel manganese cobalt battery price per 1GW in Ecuador



Overview

Our team of senior analysts and price researchers provide battery raw material prices, forward-looking reports and analysis of the market conditions. Get up-to-speed with our battery raw material prices, news, trends and forecasts.

Our team of senior analysts and price researchers provide battery raw material prices, forward-looking reports and analysis of the market conditions. Get up-to-speed with our battery raw material prices, news, trends and forecasts.

Battery raw material prices, news and market analysis. Get the latest on lithium, cobalt, nickel and more from our team of battery raw materials experts.

The per kWh price of NCM811 cell is currently the lowest in Greater China due to the low cost of battery materials, thanks to high localization, and the price difference in the manufacturing cost of these cells compared to Europe and North America. However, S&P Global Mobility forecasts a more than.

The latest data based on EV registrations in over 110 countries show the sales weighted average monthly dollar value of the lithium, nickel, cobalt, manganese and graphite contained in the batteries of the average EV based on global end-user registrations, battery capacity and chemistries. Put it.

For instance, the article highlights that lithium nickel cobalt aluminum oxide (NCA) batteries have an average price of \$120.3 per kilowatt-hour (kWh), while lithium nickel cobalt manganese oxide (NCM) comes in slightly cheaper at \$112.7 per kWh. These batteries, rich in nickel, offer impressive.

Lithium nickel cobalt aluminum oxide (NCA) battery cells have an average price of \$120.3 per kilowatt-hour (kWh), while lithium nickel cobalt manganese oxide (NCM) has a slightly lower price point at \$112.7 per kWh. Both contain significant nickel proportions, increasing the battery's energy.

For nickel-manganese-cobalt batteries, lithium hydroxide accounted for

roughly Log in or register to access precise data. Log in or register to access precise data. USD/kWh cathode cost. Already have an account?

Get notified via email when this statistic is updated. Figures include materials found.

Average nickel manganese cobalt battery price per 1GW in Ecuador



NCM Batteries: The High-Performance Solution for Electric Vehicles

NCM (Nickel Cobalt Manganese) batteries are a type of lithium-ion battery that is becoming increasingly popular in electric vehicles (EVs) due to their high energy density, ...

At \$139/kWh, Lithium-Ion Battery Pack Prices Hit All-Time Low

BNEF surveyed miners and metal traders who expect the prices for key battery metals like lithium, nickel, and cobalt to ease further next year. As per the analysis, BNEF ...



EU expects battery pack price of less than \$100/kWh ...

The 270 million-strong EU car fleet must be zero-emission by 2030. The dominant battery technology is lithium-ion, including lithium ferro-phosphate (LFP), nickel manganese cobalt oxide (NMC) and nickel cobalt ...



Markets: Cobalt Prices , Benchmark Mineral Intelligence

The complexity of the cobalt supply chain is

renowned, especially from the Democratic Republic of Congo (DRC) into China. Our understanding of this source is central to our Cobalt price and ...



CHART: Price spike doubles value of cobalt EV ...

In contrast, global nickel deployment into EV batteries increased 11% to 322.7 kt while that of manganese rose 10% to 73.6 kt and cobalt 7% to 59.6 kt as the industry continues to thrift the metal

Visualized: What is the cost of electric vehicle ...

The cost of an electric vehicle (EV) battery pack can vary depending on composition and chemistry. In this graphic, we use data from Benchmark Minerals Intelligence to showcase the different costs of battery ...



EV Battery price breakdown: chemistry, capacity, and ...

One of the key takeaways from the article is that the cost of an EV battery pack is not fixed but rather varies based on factors such as raw material expenses, production complexities, and supply chain stability.

Where are EV battery prices headed in 2025 and ...

Lithium-ion (Li-ion) EV battery prices have decreased dramatically over the past few years, mainly due to the fall in prices of critical battery metals: Lithium, cobalt and nickel. For example, the price of cobalt has fallen from roughly \$70,000 ...

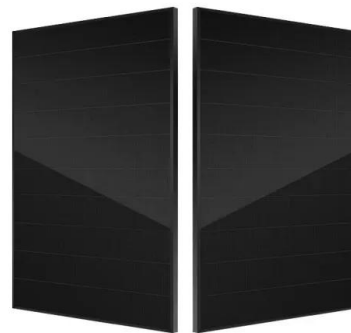


BATTERY GRADE MANGANESE

0.0 10.0 20.0 30.0 40.0 50.0 60.0 70.0 80.0 90.0 100.0
 Giyani potential Giyani China average
 Cobalt sulphate global average (Excl China)
 Cobalt sulphate China average Nickel sulphide ...

Lithium-Ion Battery Pack Prices Hit Record Low of ...

On average, LFP cells were 32% cheaper than lithium nickel manganese cobalt oxide (NMC) cells in 2023. Miners and metals traders surveyed expect prices for key battery metals like lithium, nickel and cobalt to ...



How Lithium Battery Prices Are Changing In 2025

Lithium battery price in 2025 averages \$151/kWh, with EV packs from \$4,760-\$19,200. Prices keep falling due to tech advances and lower material costs.

NMC Cathode Active Materials for Li-ion Cells , Targray

NMC (Nickel Manganese Cobalt Oxide) is the industry-standard cathode material driving innovation in lithium-ion battery technology. Known for its high energy density, thermal stability, and long cycle life, NMC is the preferred choice for ...



What are LFP, NMC, NCA Batteries in Electric Cars?

Uses environmentally unsustainable raw materials Nickel-manganese-cobalt (NMC) batteries are the most common form found in EVs today, ranging from the Nissan Leaf to Mercedes-Benz EQS. As the name ...

Comparing NMC and LFP Lithium-Ion Batteries for ...

In a previous article, we discussed how a lithium-ion battery works and provided an introduction to NMC and LFP batteries. Let's dive into the details further. NMC Battery Composition NMC batteries are a type of lithium ...



CHARTS: EV battery metals bill ticks up as cobalt, ...

The latest data tracking sales, battery capacity and chemistry in over 120 countries paired with monthly prices show the weighted average monthly dollar value of the lithium, nickel, cobalt

Raw material cost , Storage Lab

Figure 3 - Impact of relative raw material cost change on lithium-ion battery pack price for a) LFP cathode and graphite anode and b) NMC cathode and graphite anode. NMC111 with equal shares of nickel, manganese and cobalt assumed ...

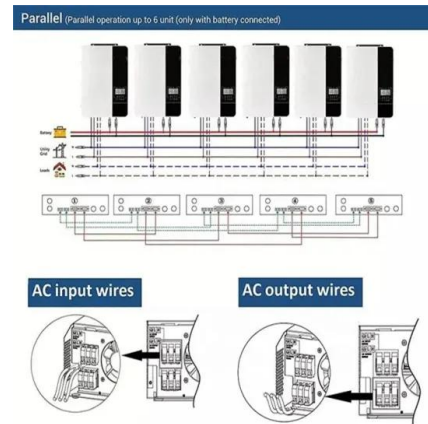


Battery cathode material cost by type 2023, Statista

Battery cathode material cost 2023, by component Global cobalt price forecast 2022-2024 Average prices for nickel worldwide from 1960 to 2026 Average prices for aluminum worldwide 2014-2026

Lithium-Ion vs. Nickel-Based Batteries: Cost Analysis for ...

With the rise of residential energy storage systems (ESS), homeowners are increasingly turning to battery technology to power their homes with renewable energy sources like solar and wind. ...



Utility-Scale Battery Storage , Electricity , 2022 , ATB , NREL

The 2022 ATB represents cost and performance for battery storage across a range of durations (2-10 hours). It represents lithium-ion batteries (LIBs)--focused primarily on nickel manganese ...

Price of selected battery materials and lithium-ion ...

Notes Data until March 2023. Lithium-ion battery prices (including the pack and cell) represent the global volume-weighted average across all sectors. Nickel prices are based on the London Metal Exchange, used here as a proxy for ...



Comparing NMC and LFP Lithium-Ion Batteries for C& I ...

In a previous article, we discussed how a lithium-ion battery works and provided an introduction to NMC and LFP batteries. Let's dive into the details further. NMC Batter y ...

EV Battery price breakdown: chemistry, capacity, and ...

For instance, the article highlights that lithium nickel cobalt aluminum oxide (NCA) batteries have an average price of \$120.3 per kilowatt-hour (kWh), while lithium nickel cobalt manganese oxide (NCM) comes in ...



Nickel-Manganese-Cobalt (NMC) Lithium-ion Batteries

PDF , MANGANESE AS A BATTERY RAW MATERIALS. High-purity Manganese Sulphate Monohydrate (HPMSM) vs HPEMM vs High-Purity Electrolytic Manganese Metal , Find, read and cite all the research you

Navigating battery choices: A comparative study of lithium ...

This research offers a comparative study on Lithium Iron Phosphate (LFP) and Nickel Manganese Cobalt (NMC) battery technologies through an extensive methodological approach that focuses ...



Nickel: Driving the Future of EV Battery Technology ...

Nickel's role in EV battery technology Nickel is indispensable in lithium-ion battery production, especially in high-performing cathode chemistries like nickel-cobalt-manganese (NCM) and nickel-cobalt-aluminium (NCA). ...

EV battery metals bill ticks up as cobal , Carlising

The more than \$60 worth of cobalt in the average EV battery in newly-sold EVs in March was the highest since December 2023. Manganese sulphate prices have been on a ...



The Price of 50 kWh Lithium Ion Batteries: A Comprehensive ...

Market Conditions and Trends Affecting Price Raw Material Costs: The prices of raw materials used in lithium-ion batteries, such as lithium, cobalt, nickel, and manganese, can ...

CHARTS: EV battery metals bill sets new low as ...

As natural and synthetic graphite, lithium carbonate and hydroxide, and nickel, cobalt and manganese sulphate prices decline further, the raw materials bill for the average EV is now down to \$510



Commercial and Industrial ESS

Air Cooling / Liquid Cooling

- Budget Friendly Solution
- Renewable Energy Integration
- Modular Design for Flexible Expansion



CHARTS: Nickel, cobalt, lithium price slump cuts average EV battery

The latest data based on EV registrations in over 110 countries show the sales weighted average monthly dollar value of the lithium, nickel, cobalt, manganese and graphite ...

EV battery metals bill ticks up as cobalt, nickel prices ...

The latest data tracking sales, battery capacity and chemistry in over 120 countries paired with monthly prices show the weighted average monthly dollar value of the lithium, nickel, cobalt, manganese and graphite contained in ...



"Rising Prices Boost EV Battery Metals Market: Cobalt and Nickel ...

During the first four months of the year, the raw material cost for lithium, graphite, nickel, cobalt, and manganese in EV batteries exceeded \$4 billion, amid declining ...

CHART: Price spike doubles value of cobalt EV battery market

The estimated size of the battery cobalt market shot up in March to an overall \$152.4 million, up 120% over February and the highest since December 2022, lifting the value ...



Utility-Scale Battery Storage , Electricity , 2022 , ATB

The 2022 ATB represents cost and performance for battery storage across a range of durations (2-10 hours). It represents lithium-ion batteries (LIBs)--focused primarily on nickel manganese cobalt (NMC) and lithium iron ...

Contact Us

For catalog requests, pricing, or partnerships, please visit:
<https://naturesnursery.co.za>