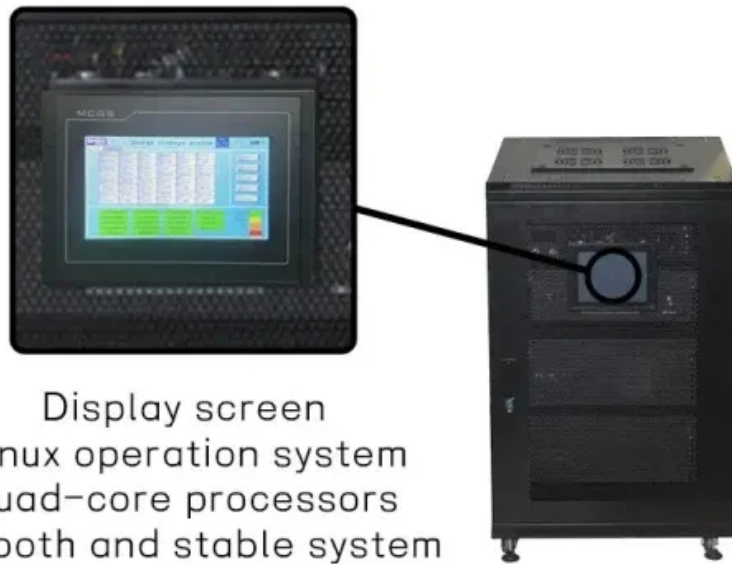


Global PV Storage Insights

Average off grid battery system price per 150MW in Iraq



Display screen
Linux operation system
quad-core processors
smooth and stable system



Average off grid battery system price per 150MW in Iraq

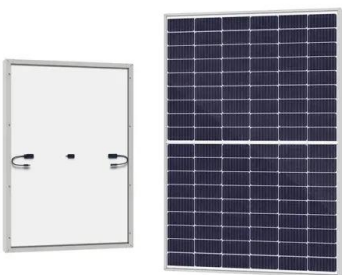


Iraq wind power storage battery prices

A photovoltaic- (PV-) wind turbine- (WT-) battery storage system with maximizing self-consumption and time-of-use (ToU) pricing is conducted to examine the system efficiency. The ...

Megapack - Utility-Scale Energy Storage , Tesla

Megapack is a utility-scale battery that provides reliable energy storage, to stabilize the grid and prevents outages. Find out more about Megapack.



[Cost of electricity by source](#)

The capture rate is the volume-weighted average market price (or capture price) that a source receives divided by the time-weighted average price for electricity over a period. [16][17][18][19] ...

Iraq Battery Energy Storage System Market (2025-2031) , Trends ...

The Iraq Battery Energy Storage System market is primarily driven by the growing adoption of

renewable energy sources, such as solar and wind power, to reduce dependence on fossil ...

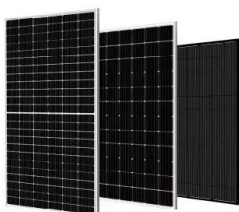


2022 Grid Energy Storage Technology Cost and ...

The 2022 Cost and Performance Assessment provides the levelized cost of storage (LCOS). The two metrics determine the average price that a unit of energy output would need to be sold at ...

Design and Performance Analysis of Grid-Connected ...

This study assesses the effectiveness of a 5-kW grid-connected photovoltaic system strategically installed on rooftops of residential buildings in Kalar City, Iraq.



Iraq

Iraq's largest source of clean electricity is hydro (0.9%). Its share of wind and solar (0.3%) was far below the global average in 2023 (13%). Iraq relied on fossil fuels for over 98% of its electricity in 2023. Its emissions per ...

Energy storage costs

Small-scale lithium-ion residential battery systems in the German market suggest that between 2014 and 2020, battery energy storage systems (BESS) prices fell by 71%, to USD 776/kWh.

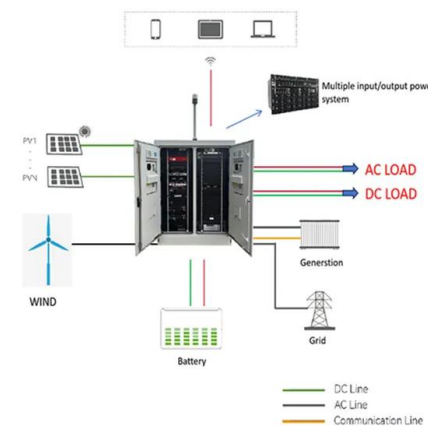


(PDF) Iraq Solar Energy: From Dawn to Dusk

Iraq is facing multiple challenges for harnessing the indigenous energy resources and devising rational energy policy. The recent dramatic fall of oil prices, Iraq's economic and political

Iraq

Iraq holds abundant oil and gas resources and has strong solar PV potential. Its production to 2030 is set to be third largest contributor to global oil supply. By the same year, the ...



Iraq Solar Battery Companies & Energy Storage Solutions

In Iraq, the price of solar battery systems is influenced by multiple factors, including system capacity (for both residential and commercial storage), battery chemistry, ...

1 MW Battery Storage Cost: A Comprehensive Analysis

Technology: Lithium-ion batteries are the preferred choice, with costs ranging from \$350 to \$450 per kWh (IRENA, 2022). Total Cost: For a 1 MWh system, this translates to \$350,000 to \$450,000. Power Conversion System (PCS) ...



Behind the numbers: The rapidly falling LCOE of battery storage

The cost of battery energy storage has continued on its trajectory downwards and now stands at US\$150 per megawatt-hour for battery storage with four hours' discharge ...

Off Grid Solar System Price for Home with Battery ...

The off-grid solar system is a battery based, independent solar system that does not need a utility grid to illuminate your places. It is a complete solar setup with solar panels, solar battery, and solar inverter, and is ideal to lighten a home ...



Iraq New Energy Storage Battery Prices: Trends, Challenges ...

But hold onto your solar-powered falconry gloves, because Baghdad to Basra is buzzing with new energy storage battery projects. With Iraq new energy storage battery prices dropping 18% ...

Iraq Solar Battery Companies & Energy Storage Solutions

Iraq is entering a transformative phase in its energy landscape. With rising electricity demand, unstable grid performance, and frequent blackouts--particularly during ...

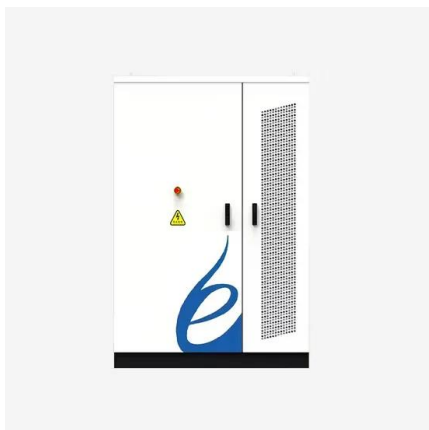


Off grid Solar System,Hybrid Solar System,On grid ...

Sunrover Power is standard solar energy products supplier from China,mainly supply Off grid Solar System,Hybrid Solar System and On grid Solar System for home and commercial.

Off grid Solar System,Hybrid Solar System,On grid Solar System

Sunrover Power is standard solar energy products supplier from China,mainly supply Off grid Solar System,Hybrid Solar System and On grid Solar System for home and commercial.



On-off-Grid Optimal Hybrid Renewable Energy Systems for House Units in Iraq

This paper addresses the optimal sizing of Hybrid Renewable Energy Systems (HRESs), encompassing wind, solar, and battery systems, with the aim of delivering reliable ...

The Future of Solar Battery Storage in Iraq

According to reports from the International Energy Agency. The average price of lithium-ion battery packs dropped by 20% in 2024 compared to the previous year. This drop is ...



Grid-Scale Battery Storage: Costs, Value, and Regulatory

...

Market Based: We scale the most recent US bids and PPA prices (only storage adder component) using appropriate interest rate / financing assumptions Bottom-up: For battery pack prices, we ...

The First Off-Grid Solar Power Plant in Iraq

The power plant is an off-grid 2.5 MW PV solar power plant with 2.5 MWh battery energy storage system. After we put this plant into operation, it has already saved us ...



Iraq Expands Renewable Energy with Solar Projects

In Karbala, a 3 MW project is supplying power to government offices. In Diyala, a 1.5 MW off-grid solar system is providing electricity to rural areas. Baghdad is testing a floating solar system on a reservoir, with an initial ...

Exploring Iraq's Renewable Energy Investment

For companies exploring solar, wind, or energy storage opportunities in Iraq, understanding the current grid conditions, energy demand, and investment economics is essential. This article offers a comprehensive overview for ...



Iraq solar pv battery storage cost

A solar battery costs \$8,000 to \$16,000 installed on average before tax credits. Solar battery prices are \$6,000 to \$13,000+ for the unit alone, depending on the capacity, type, and brand.

From diesel reliance to sustainable power in Iraq: Optimized ...

The average availability of electricity to end-users in Iraq, sourced from the grid as well as private and shared generators ranges from 11 to 19 h per day, varying across different ...



2.5MW off-grid PV battery energy storage system ...

On June 16, local time, the 2.5MW off-grid photovoltaic energy storage project in Zone 9, Iraq, built by China Energy Construction Gezhouba Power Company, held a completion and commissioning celebration. This ...

Grid-scale battery costs: the economics?

The costs of a grid-scale battery are generally around 2x higher than the underlying battery, after reflecting the balance of system, power equipment, controls and communication, systems integration, grid installation, EPC ...



The Future of Solar Battery Storage in Iraq

Global Battery Price Decline and Its Impact on the Iraqi Market As global prices for solar batteries have declined significantly, solar systems with storage have become more ...

Contact Us

For catalog requests, pricing, or partnerships, please visit:
<https://naturesnursery.co.za>