

Global PV Storage Insights

Average off grid battery system price per 800MW in Greece



Overview

How many mw subsidized battery storage in Greece?

Home » News » Renewables » Greece awards 188.9 MW for subsidized battery storage in final auction Greece's third energy storage auction has been completed, with nine projects selected and a capacity of 188.9 MW.

How much does battery storage cost in Europe?

The landscape of utility-scale battery storage costs in Europe continues to evolve rapidly, driven by technological advancements and increasing demand for renewable energy integration. As we've explored, the current costs range from €250 to €400 per kWh, with a clear downward trajectory expected in the coming years.

How many MW is a battery energy storage system?

It was the final auction where the state provides subsidies to build battery energy storage systems (BESS). A total of almost 800 MW in capability has been awarded through all three storage auctions. In the latest bidding, nine projects with a four-hour storage duration have been selected for a total capacity of 188.9 MW.

How much does a grid connection cost?

The complexity of grid connection requirements varies significantly based on location and local regulations, with costs ranging from €50,000 to €200,000 per MW of capacity. System integration expenses cover the sophisticated control systems, energy management software, and monitoring equipment essential for optimal battery performance.

How much does a lithium-ion battery storage system cost?

Recent industry analysis reveals that lithium-ion battery storage systems now average €300-400 per kilowatt-hour installed, with projections indicating a further 40% cost reduction by 2030. For utility operators and project

developers, these economics reshape the fundamental calculations of grid stabilization and peak demand management.

How much does battery storage cost?

The largest component of utility-scale battery storage costs lies in the battery cells themselves, typically accounting for 30-40% of total system costs. In the European market, lithium-ion batteries currently range from €200 to €300 per kilowatt-hour (kWh), with prices continuing to decrease as manufacturing scales up and technology improves.

Average off grid battery system price per 800MW in Greece



Greece opens EUR-153.7m subsidy scheme for batteries

Battery energy storage systems (BESS) License: CC0 1.0 Universal (CC0 1.0) Public Domain Dedication. The scheme will offer EUR 153.7 million (USD 157.6m) in financing, ...

Average cost of solar system in Greece - CREATIVE ...

The average cost of solar systems in Greece The average cost of a solar system in Greece is EUR3 per watt. To account for the typical energy usage of the average home in Greece, most homeowners require a 4.2 ...



Solar PV in Africa: Costs and Markets

The data for sub-1 kW SHS collected for this report translate into annual costs of USD 56 to USD 214/year, assuming a 5% real cost of capital, a six-year life and one battery replacement.7 ...

Real Cost Behind Grid-Scale Battery Storage: 2024 ...

Recent industry analysis reveals that lithium-ion battery storage systems now average EUR300-400 per kilowatt-hour installed, with projections indicating a further 40% cost

reduction by 2030.



Utility-Scale Battery Storage , Electricity , 2024 , ATB , NREL

The cost and performance of the battery systems are based on an assumption of approximately one cycle per day. Therefore, a 4-hour device has an expected capacity factor of 16.7% (4/24 = ...

Battery prices collapsing, grid-tied energy storage expanding

143K subscribers in the solar community. Discussion of solar photovoltaic systems, modules, the solar energy business, solar power production...

ESS



50KW modular power converter



Hundreds of battery projects pitched as Greece becomes an

...

An increasing number of local and foreign companies are interested in building energy storage facilities in sun-loving Greece using battery technology. In fact, the Regulatory ...

Model of Operation and Maintenance Costs for Photovoltaic ...

O& M costs, on average, have been lowering over the years. For example, the Lawrence Berkeley National Laboratory (LBNL) reports O& M costs for utility-scale systems are down from an ...



AVERAGE COST OF SOLAR SYSTEM IN GREECE

A 5kW solar battery storage system typically costs around £9,000 to £10,000. The variability in installation expenses for such a system is influenced by factors like the battery's size and ...

Greece postpones third battery storage auction

The first auction awarded a weighted average price of EUR49,748 per MW per year while the second was EUR46,680/MW/year (around US\$50,000). The three auctions are being funded by Greece's portion of the EU-wide ...



Utility-Scale Battery Storage , Electricity , 2021 , ATB

The cost and performance of the battery systems are based on an assumption of approximately one cycle per day. Therefore, a 4-hour device has an expected capacity factor of 16.7% ($4/24 = 0.167$), and a 2-hour device has an expected ...

Greece awards 189 MW of battery storage in third ...

Greece's latest auction has awarded subsidies to 188.9 MW of standalone, front-of-the-meter, utility-scale battery energy storage. The auction was the third and final edition of a battery storage subsidy program launched in ...



Grid-Scale Battery Storage: Frequently Asked Questions

What is grid-scale battery storage? Battery storage is a technology that enables power system operators and utilities to store energy for later use. A battery energy storage system (BESS) is ...



Solar Off-Grid Lithium Battery Banks & Backup Systems , BigBattery

BigBattery's off-grid lithium battery systems utilize only top-tier LiFePO4 batteries for maximum energy efficiency. Our off-grid lineup includes the most affordable prices per kWh in energy ...



Greece Launches Third Auction for 200 MW of Grid ...

The Greek Regulatory Authority for Energy, Waste, and Water (RAAEY) has launched the country's third auction for standalone, grid-scale, front-of-the-meter battery energy storage systems. This auction aims to award ...

10kw off-grid solar system price by ...

With the growing demand for clean energy and solar power, an off-grid system can be a great investment. This article will help you understand the various types of 10kw off-grid solar systems, their components, and their installation costs. ...



Figure 1. Recent & projected costs of key grid

The "Report on Optimal Generation Capacity Mix for 2029-30" by the Central Electricity Authority (CEA 2023) highlight the importance of energy storage systems as part of ...

Off-grid Houses in Crete: Energy Independent ...

Designing off-grid houses in Crete by integrating energy-efficient solar panels, wind turbines, batteries and rainwater collection systems.



Grid-Scale Battery Storage: Costs, Value, and Regulatory

...

Bottom-up: For battery pack prices, we use global forecasts; For Balance of System (BoS) costs, we scale US benchmark estimates to India using comparison with component level solar PV

...

Greece shortlists 1.5 GW of projects in 2nd BESS tender

Local media reports that Greece seeks to award 288 MW of battery storage projects in the ongoing tender, in which it cut the available subsidies to EUR 100,000 (USD ...

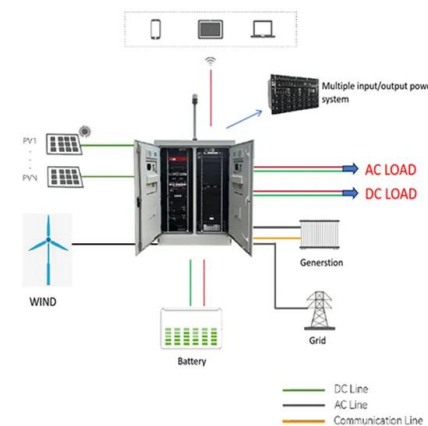


Solar battery storage system price Greece

How many MW of new battery storage capacity does Greece have? The Greek energy regulator has awarded 300 MW of new battery storage capacity in the nation's second energy storage ...

Greece awards 188.9 MW for subsidized battery storage in final ...

Average price rises As for the average price, it landed at EUR 52,589.16 per MW per year in the auction. The lowest offer was EUR 43,927 per MW, by HELLENiQ ...

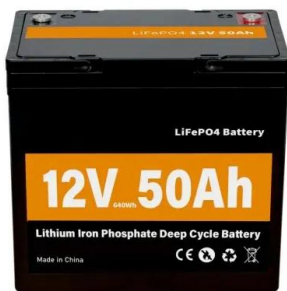


Solar Battery Bank Sizing Calculator for Off-Grid

Use this battery bank size calculator to help you buy the right battery bank and ensure you get years of life for your solar panel kit system.

11 Best Batteries For Off-Grid Living

In this writing, we present the best batteries for off-grid living that are most efficient and stable. Besides, we include a complete buyer's guide that will help you to select the best batteries for your house. Let's get started.

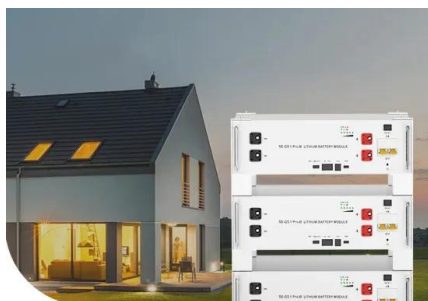


Utility-Scale PV , Electricity , 2024 , ATB , NREL

For example, in 2014, the reported capacity-weighted average system price was higher than 80% of system prices in 2014 because very large systems with multiyear construction schedules were being installed that year.

Off-Grid Solar Systems: Top Picks, Costs, and How to ...

Explore everything about off-grid solar batteries: systems, costs, top products, and setup tips in 2025. Learn how to live off the grid sustainably with solar power solutions.



**Low Voltage
Lithium Battery**

6000+ Cycle Life

? Electricity prices in Greece

Europe Greece ? Electricity prices ?? Greece GR ?
The latest energy price in Greece is EUR 91.41 MWh, or EUR 0.09 kWh This is -12% less than yesterday. 2025-08-07 - 2025 ...

Greece awards 189 MW of battery storage in third auction

Greece's latest auction has awarded subsidies to 188.9 MW of standalone, front-of-the-meter, utility-scale battery energy storage. The auction was the third and final edition of ...



Contact Us

For catalog requests, pricing, or partnerships, please visit:
<https://naturesnursery.co.za>