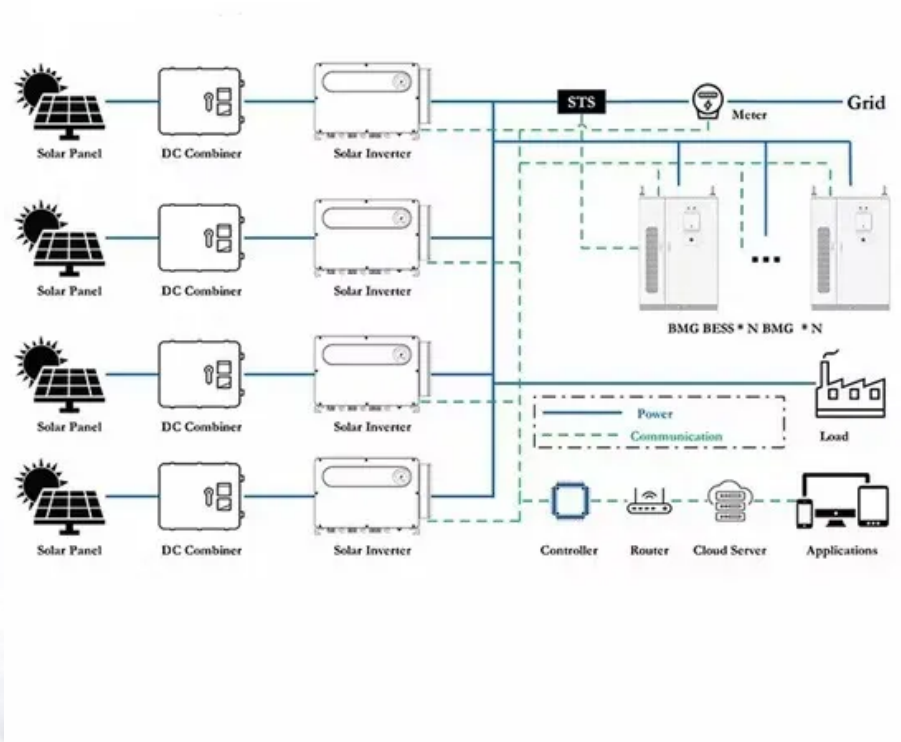


## Global PV Storage Insights

# Average office building energy storage price per 30MW in Zambia



## Average office building energy storage price per 30MW in Zambia

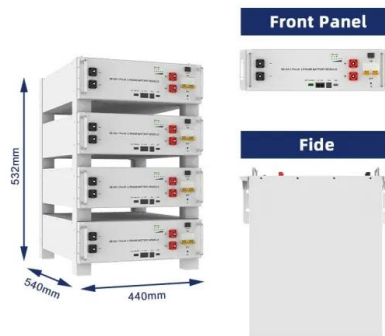


### The current status of energy storage in zambia

The Zambian regulation foresees customs duty and VAT exemptions for most equipment used in renewable energy or battery storage projects. Detailed information is provided in In this ...

### Zambia Energy Storage Market (2025-2031) , Share & Industry

Market Forecast By Type (Pumped-Hydro Storage, Battery Energy Storage Systems, Others), By Application (Residential, Commercial, Industrial) And Competitive Landscape Report ...



### Zambia Solar Panel Manufacturing Report , Market

...

Explore Zambia solar panel manufacturing landscape through detailed market analysis, production statistics, and industry insights. Comprehensive data on capacity, costs, and growth.

### Cost Projections for Utility-Scale Battery Storage: 2023 ...

Executive Summary In this work we describe the development of cost and performance

projections for utility-scale lithium-ion battery systems, with a focus on 4-hour duration ...



[Zambia: Energy Policy . SpringerLink](#)

Zambia's energy supply is predominantly biomass with a share of 70% followed by hydro energy which generates 95% of the country's electricity power which accounts for ...

**Zambia energy storage power generation price**

This study reviews energy transition strategies and proposes a roadmap for sustainable energy transition for sustainable electricity generation and supply in line with commitments of the Paris



**ZAMBIA S LARGEST ENERGY STORAGE STATION**

The energy storage project includes 42 energy storage warehouses and 21 machines integrating energy boosters and converters, using large-capacity sodium-ion batteries of 185 ampere ...

## ENHANCING THE RENEWABLE ENERGY TRANSITION IN ...

Zambia's renewable energy sources are widespread into the country: o Hydropower resources are estimated around 6,000MW; o The country has an average 2000/3000 hours of sunshine ...

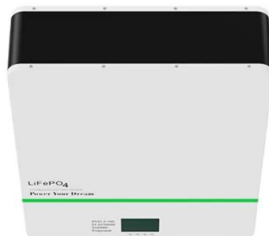


## Zambia targets 60MW/20MWh solar, storage

The facility has been touted as Zambia's first solar plant with battery storage. Valued at approximately \$65 million, it is scheduled to reach commercial operations in ...

## NATIONAL ENERGY COMPACT FOR ZAMBIA

Despite abundant renewable energy resources in Zambia, about half of the population remains without electricity and more than 80 percent without access to clean cooking solutions. With an ...



## The State of the Energy Sector in Zambia

Demand for energy has been rising due to economic activity in the country particularly in the mining, manufacturing and agriculture sectors. According to the Ministry of Finance, Zambia's ...

## Zambia: Strong solar energy project pipeline ...

Zambia is ramping up its renewable energy project pipeline - with at least two major solar projects set to be commissioned this year alongside smaller capacity facilities and another significant plant set for launch in 2026.



## Zambia Energy Storage Power Supply: A Comprehensive Guide ...

While Zambia's average energy storage quotation remains 22% higher than South Africa's (AfDB data), costs are falling faster than a drunk monkey from a mango tree.

## Zambia: Solar PV and Hydro Mini-Grids

The first series of GET vest Market Insights are published in early 2019 covering four renewable energy market segments in three countries, namely: renewable energy applications in the ...



## Solar Installed System Cost Analysis

Solar Installed System Cost Analysis NREL analyzes the total costs associated with installing photovoltaic (PV) systems for residential rooftop, commercial rooftop, and utility-scale ground-mount systems. This work has ...

## Zambia household energy storage power price list

What is the electricity price in Zambia? The electricity price for businesses is ZMW 0.854 kWh or USD 0.032. These retail prices were collected in December 2023 and include the cost of ...



### GRADE A BATTERY

LiFePO4 battery will not burn when overcharged, over discharged, overcurrent or short circuited and can withstand high temperatures without decomposition.



## Calculation of energy storage cost for a 1MW power station

Calculation of energy storage cost for a 1MW power station Cost Analysis: Utilizing Used Li-Ion Batteries. Economic Analysis of Deploying Used Batteries in Power Systems by Oak Ridge NL ...

## Utility-Scale Battery Storage , Electricity , 2024 , ATB , NREL

The battery storage technologies do not calculate levelized cost of energy (LCOE) or levelized cost of storage (LCOS) and so do not use financial assumptions. Therefore, all parameters are ...



 LFP 280Ah C&I



## Commercial Battery Storage Costs: A Comprehensive ...

Commercial Battery Storage Costs: A Comprehensive Breakdown Energy storage technologies are becoming essential tools for businesses seeking to improve energy efficiency and resilience. As commercial energy systems evolve, ...

## Benchmarking Commercial Building Energy Use Per Square Foot

In this article, we'll discuss the average commercial building energy consumption per square foot, and tell how to measure and compare your own usage with other buildings in ...



## Photovoltaic project cooperation agreement between Sany Group and Zambia

As an important area for deepening the high-quality cooperation between China and Zambia in building the "Belt and Road", this project will contribute to Zambia's response to ...

## ZAMBIA

Despite the fact that Zambia's renewable energy potential (as the average of its wind power density at 100m and its solar PV potential) is relatively high and aligned with the average ...



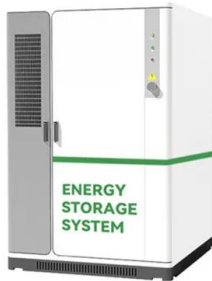
51.2V 300AH

## 60 MW Cooma Solar Power Project in Zambia , Energy Finance ...

The project involves the construction of a 60 MW solar facility, complemented by a 20 MWh battery energy storage system (BESS) in Zambia.

## Zambia Substation Energy Storage Project: Powering the Future ...

Why Zambia's Energy Storage Projects Matter (and Who Cares) a country where 86% of electricity comes from hydropower, but droughts keep flipping the lights off. ...



## Zambia

The average electricity price in Zambia has dropped from 73.79 USD/MWh in 2022 to 69.71 USD/MWh in 2023. Since 2017, the average electricity price in Zambia has fluctuated between ...

## NATIONAL ENERGY COMPACT FOR ZAMBIA

Despite abundant renewable energy resources in Zambia, about half of the population remains without electricity and more than 80 percent without access to clean ...



## Understanding MW and MWh in Battery Energy ...

In the context of a Battery Energy Storage System (BESS), MW (megawatts) and MWh (megawatt-hours) are two crucial specifications that describe different aspects of the system's performance.

## How Much Does Commercial Energy Storage Cost?

The cost of energy storage is typically measured in dollars per kilowatt-hour (kWh) of storage capacity. According to the same BloombergNEF report, the average cost of lithium-ion batteries was \$132 per kWh in 2021.



## Commercial Buildings Energy Consumption Survey ...

Warehouse and storage, office, and service buildings together accounted for almost one-half (48%) of all commercial buildings. Warehouse and storage, office, and education buildings accounted for one-half of total commercial building ...

## Zambia energy storage power price list

elopment of Zambia's electricity mix. While Zambia has the potential to generate 2,300 MW of solar and 3,000 MW of wind, only 76 MW of solar has been installed and no wind power to ...

TAX FREE

### ENERGY STORAGE SYSTEM

**Product Model**  
 HJ-ESS-215A(100KW/215KWh)  
 HJ-ESS-115A(50KW/115KWh)

**Dimensions**  
 1600\*1280\*2200mm  
 1600\*1200\*2000mm

**Rated Battery Capacity**  
 215KWH/115KWH

**Battery Cooling Method**  
 Air Cooled/Liquid Cooled



**1075KWHH ESS**

## Thermal Energy Storage in Commercial Buildings

This fact sheet describes the benefits of thermal energy storage systems when integrated with on-site renewable energy in commercial buildings, including an overview of the latest state-of-the ...

## Contact Us

---

For catalog requests, pricing, or partnerships, please visit:  
<https://naturesnursery.co.za>