

## Global PV Storage Insights

# Average residential ESS price per 150MW in Greece



## Overview

---

You can check and compare the prices of the electricity and gas tariffs offered for:.

You can check and compare the prices of the electricity and gas tariffs offered for:.

You can check and compare the prices of the electricity and gas tariffs offered for: You can also calculate the cost of regulated charges related to energy consumption. This translation is generated by eTranslation, the European Commission's automated translation service. You can learn more by.

More specifically, the fees for the Transmission System covers the cost of operation, maintenance, and development of the Transmission Network (Transmission System) which transfers electricity via High Voltage pylons from the production plants to the substations of the urban areas, so that.

The residential electricity price in Greece is EUR 0.189 per kWh or USD 0.220. The electricity price for businesses is EUR 0.263 kWh or USD 0.306. These retail prices were collected in December 2024 and include the cost of power, distribution and transmission, and all taxes and fees. Compare Greece.

With the electricity price today in Greece you can save 0.45 € for each shower. What uses the most electricity at home?

Heating certainly uses the most electricity, closely followed by hot water and charging electric cars. Electrical appliances such as TVs, mobile phones and computers use very.

It costs €0.55 to shower for 10 minutes in . If you are showering for 10 minutes once a day, it will cost you a total of €16.5 per month. If you decide to reduce showers to 5 minutes, you would save €8.25. \* This is based on showering for 10 minutes, and using 6 kwh. How much does it cost to have a.

Supply Charge – The actual cost of energy (can be fixed or variable). Network Charges – Regulated fees for using transmission and distribution lines. Public

Service Obligations (PSOs) – Costs to support islands, renewable energy, and vulnerable consumers. Taxes – Including VAT (24%), excise tax. How much does electricity cost in Greece?

Greece, June 2023: The price of electricity for households is EUR 0.246 per kWh or USD 0.269 per kWh. The electricity price for businesses is EUR 0.189 kWh or USD 0.207 per kWh. This includes all components of the electricity bill such as the cost of power, distribution and taxes.

How much energy does a shower save in Greece?

With the energy-saving shower, you can save up to 50% energy compared to standard shower heads. Or you can shower half the time. With the electricity price today in Greece you can save 0.38 € for each shower. What is a kWh?

kWh stands for kilowatt-hour, and is a unit that tells how much energy is used in one hour. Kilo means a thousand.

How is Greece transforming its energy system?

Greece is undergoing a major transformation in how it generates, delivers, and prices electricity. From a fossil-heavy past to a renewable-powered future, the country is embracing a cleaner and more competitive energy model—driven by policy, market innovation, and consumer choice.

Is Greece a net exporter of electricity in 2024?

And for the first time, Greece became a net exporter of electricity in 2024, sending surplus power to neighboring countries through an expanding regional grid. Renewable energy is booming in Greece. By the end of 2024: Solar PV capacity topped 9 GW, with new projects being added at record pace.

How much does electricity cost for a business?

The electricity price for businesses is EUR 0.189 kWh or USD 0.207 per kWh. This includes all components of the electricity bill such as the cost of power, distribution and taxes. For comparison, the average price of electricity in the world for that period is USD 0.155 per kWh for households and USD 0.152 per kWh for businesses.

What is Greece's energy mix?

Greece's energy sector has undergone significant changes over the years. The country's energy mix primarily comprises renewable sources, natural gas, and lignite. Renewable energy, especially wind and solar power, has been steadily rising in contribution. Lignite, a type of coal, historically has been a dominant source of electricity in Greece.

## Average residential ESS price per 150MW in Greece

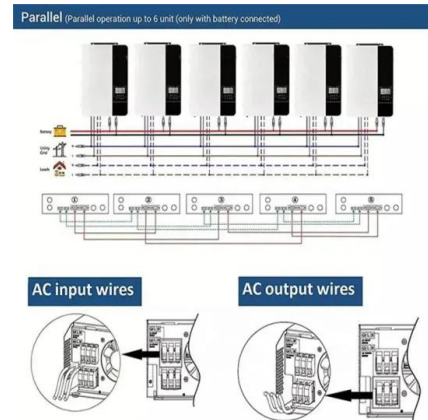


### Why the Rise in Australian Residential Energy Storage?

In total, 314,000 PV systems were registered in 2022. With the 15% attachment rate, that equates to 47,100 ESS installations. SunWiz's report mentions that the considerable growth in ESS installations coinciding with ...

### Electricity prices

Dynamic electricity tariffs (labeled "orange tariffs" in Greece's new scheme) are pricing plans where the per-kWh price can vary hour by hour (or in short intervals) in sync with wholesale ...



**TAX FREE**

**ENERGY STORAGE SYSTEM**

**Product Model**  
 HJ-ESS-215A(100KW/215KWh)  
 HJ-ESS-115A(50KW 115KWh)

**Dimensions**  
 1600\*1280\*2200mm  
 1600\*1200\*2000mm

**Rated Battery Capacity**  
 215KWH/115KWH

**Battery Cooling Method**  
 Air Cooled/Liquid Cooled

### Cost of Living in Greece. Prices in Greece. Updated Sep 2025

Average prices of more than 40 products and services in Greece. Prices of restaurants, food, transportation, utilities and housing are included.

### Athens Real Estate Market Overview & Forecast (2025 & 2026)

The average residential sale price in Athens currently stands at EUR2,450 per square meter,

representing a 7.6% year-over-year increase.  
Central areas such as Exarchia, ...

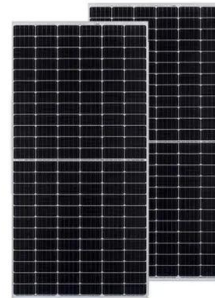


## How much does it cost to build a battery energy storage system ...

How much does it cost to build a battery in 2024? Modo Energy's industry survey reveals key Capex, O& M, and connection cost benchmarks for BESS projects.

## Athens Real Estate Market Overview & Forecast ...

The average residential sale price in Athens currently stands at EUR2,450 per square meter, representing a 7.6% year-over-year increase. Central areas such as Exarchia, Koukaki, and Pangrati continue to lead in price ...



## [Feed-in tariffs \(FITs\) in Europe](#)

Sweden also has a green electricity certificate system and shares a joint certificate market with Norway. In 2013 the average price of a certificate was SEK 197/MWh.

## Prices & Tariffs

It is calculated in accordance with the active per month long-term and short-term capacity contracts that each Supplier has concluded with the National Natural Gas System Operator, and thus it varies per month.



## Residential PV-ESS System Market

The average residential PV-ESS installation cost in Germany exceeds EUR18,000 (\$19,500), requiring households to commit significant savings or secure loans. While government ...

## Residential Energy Storage Systems (ESS) Market Size

The global residential energy storage systems (ESS) market size is estimated to reach USD 37.65 billion by 2032, growing at a CAGR of 17.56% during the forecast period 2024-2032

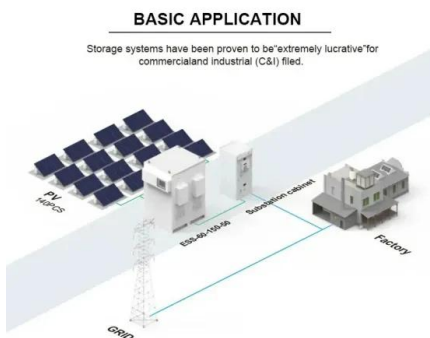


## Costs of 1 MW Battery Storage Systems 1 MW / 1 ...

Discover the factors affecting the Costs of 1 MW Battery storage systems, crucial for planning sustainable energy projects, and learn about the market trends!

## European residential BESS industry , McKinsey

These international players are placing cost pressure on European BESS OEMs by driving down prices. In early 2024, the price of residential BESS offered to end consumers in Europe ranged widely, from ...



### cost of bess per mwh

European electricity prices and costs Wholesale electricity prices are average day-ahead spot prices per MWh sold per time period, sourced from ENTSO-E and EMRS. Prices have been ...

## 2H 2023 Energy Storage Market Outlook

Residential batteries are now the largest source of storage demand in the region and will remain so until 2025. Separately, over EUR1 billion (\$1.1 billion) of subsidies have been ...



## Greece: monthly DAM baseload electricity price 2024

Baseload electricity prices in Greece amounted to 135 euros per megawatt-hour in July 2024. Electricity prices skyrocketed in Europe between the second half of 2021 and the first half of 2022, and

## U.S. Solar Photovoltaic System and Energy Storage Cost

From April 2022 to April 2023, the Consumer Price Index for All Urban Consumers: All Items in U.S. City Average (consumer price index--CPI) rose about 5%, compared with about 8% ...



## Greece awards 189 MW of battery storage in third ...

Greece's latest auction has awarded subsidies to 188.9 MW of standalone, front-of-the-meter, utility-scale battery energy storage. The auction was the third and final edition of a battery storage subsidy program launched in ...

## The map of real estate returns and prices in Athens

Real estate prices In the course of the decade, the average increase in the value of each type of apartment was measured over 78%, moving towards doubling the price, ...



## 1MWh-3MWh Energy Storage System With Solar Cost ...

PVMars lists the costs of 1mwh-3mwh energy storage system (ESS) with solar here (lithium battery design). The price unit is each watt/hour, total price is calculated as:  $0.2 \text{ US\$} * 2000,000 \text{ Wh} = 400,000 \text{ US\$}$ . When solar modules ...

## Energy Storage System Price Trends and Cost-Saving Solutions ...

Over the past 3 years, the average energy storage system price has dropped by 28% worldwide. What's driving this downward trend? Technological breakthroughs in lithium-ion batteries, ...



## ESS Price per kWh in 2025: Trends, Costs, and Key Savings

...

Why ESS Prices per kWh Are Dropping Faster Than Expected You've probably heard the buzz about energy storage systems (ESS) becoming more affordable, but did you know lithium-ion ...

## Square Meter/Square Foot Prices in Greece, Athens compared to ...

This table shows the latest average square meter prices for residential dwellings--usually apartments or flats--in Athens, Chania, Heraklion, Kavala, and Thessaloniki (Greece), with ...

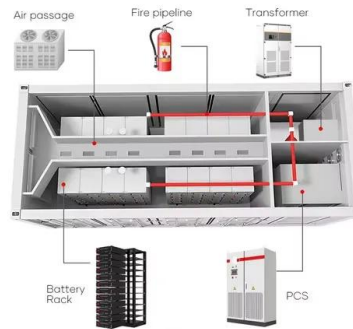


## [Greece electricity prices](#)

The residential electricity price in Greece is EUR 0.000 per kWh or USD . These retail prices were collected in December 2024 and include the cost of power, distribution and transmission, and ...

## Utility-Scale Battery Storage , Electricity , 2024 , ATB , NREL

The average annual reduction rates are 1.4% (Conservative Scenario), 2.9% (Moderate Scenario), and 4.0% (Advanced Scenario). Between 2035 and 2050, the CAPEX reductions ...



## ? Electricity prices in Greece

Europe Greece ? Electricity prices ?? Greece GR ?  
 The latest energy price in Greece is EUR 91.41 MWh, or EUR 0.09 kWh This is -12% less than yesterday. 2025-08-07 - 2025 ...

## Cost of Living in Greece. Updated prices in Greece and 87 cities ...

The average cost of living in Greece is \$1512 with an average salary of 747.69 and a population of 10,432,481. Compare the cost of living in 87 cities in Greece.



## Residential All-In-One Energy Storage Systems (ESS) Market

These converging factors drive average residential ESS prices to \$1,200-\$1,500 per kWh in 2024, with lead times stretching to 9-14 months for customized configurations.

## Contact Us

---

For catalog requests, pricing, or partnerships, please visit:  
<https://naturesnursery.co.za>