

## Global PV Storage Insights

# Average rooftop solar battery price per 3MW in Luxembourg



## Overview

---

Discover all the 2025 prices and subsidies for your photovoltaic installation in the Grand Duchy. Guide, latest figures and free 2025 simulator.

Discover all the 2025 prices and subsidies for your photovoltaic installation in the Grand Duchy. Guide, latest figures and free 2025 simulator.

It is generally necessary to count between €2,100 and €2,300 per kWp (kilowatt-peak or peak power) of photovoltaic cells (taking into account the total cost: supports, fixing, panels, inverters, etc). For a standard 5 kWp roof in Luxembourg, the total cost excluding grants is between €10,750 and.

Solar battery backup systems in Europe typically cost between €5,000 and €15,000, with prices varying significantly based on capacity, brand, and installation requirements. When paired with hybrid solar systems, these installations deliver exceptional value through reduced energy bills and enhanced.

As of 2024, a standard residential solar system in Germany ranges from €1,200 to €1,500 per kWp (kilowatt peak), translating to a total cost of approximately €5,000 to €15,000 for systems between 4 kWp to 10 kWp. High-efficiency panels and advanced inverter technologies can push the higher end of.

This dashboard provides an overview on the latest Solar PV costs.

Thermal solar panels are generally less expensive than photovoltaic ones, costing around 400 to 600 euros per square metre installed, and have high energy yields for heat production alone. By contrast, photovoltaic panels, which cost an average of €1,200 to €1,800 per kilowatt installed, can.

If you're looking to buy battery storage for your solar panels, you can probably expect to pay between \$7,000 and \$18,000. Just know that the overall price range for a solar battery is even wider, with prices anywhere from a few hundred dollars to \$30,000+, depending on what you buy, who you buy it. Does Luxembourg have a photovoltaic system?

Photovoltaic installations in Luxembourg are diverse and include rooftop solar, ground-mounted solar plants, floating installations and solar carports. From January 1, 2023, the government reduced the value added tax (VAT) on new photovoltaic installations to 3% and increased subsidies for photovoltaic installations for own needs to 62.5%.

How can Luxembourg save money on solar panels?

Luxembourg homeowners can reduce their electricity bills and sell surplus production thanks to the self-consumption model. The government is proposing subsidies covering up to 80% of installation costs with an estimated return on investment of between 5 and 7 years. How steep should the roof be for solar panels?

.

What is agrivoltaics in Luxembourg?

Agrivoltaics is one of the major areas of focus under the plan to promote agricultural production along with solar PV. Photovoltaic installations in Luxembourg are diverse and include rooftop solar, ground-mounted solar plants, floating installations and solar carports.

How to install solar panels in Luxembourg?

Consult our Guide to photovoltaic subsidies in Luxembourg (subsidies 2025). The best way to install solar panels in Luxembourg is to analyse three key factors: Roof pitch : The ideal angle for solar panels in the region is between 25 and 35 degrees to the horizontal, optimising exposure to the sun's rays all year round.

How much does a solar battery cost?

Historically, solar batteries have had a reputation for being prohibitively expensive, with many recorded instances where adding storage doubled the cost of a home solar installation. You can expect to pay between \$7,000 and \$18,000 for a solar battery.

How much does a solar system cost?

The total cost for these systems generally falls between €5,000 and €12,000, including installation and essential components. A standard 7kWh system, suitable for a three-bedroom home, usually costs around €8,500. This

investment typically includes the battery unit (€4,000-6,000), inverter (€1,500-2,000), and installation labour (€1,000-1,500).

## Average rooftop solar battery price per 3MW in Luxembourg



### [250KW 300KW 500KW Solar System Cost](#)

PVMars lists the costs of 250kW, 300kW, 500kW solar plants here (Gel battery design). If you want the price of a lithium battery design, please click on the product page of the ...

### How much does it cost to build a battery energy ...

1) Total battery energy storage project costs average £580k/MW 68% of battery project costs range between £400k/MW and £700k/MW. When exclusively considering two-hour sites the median of battery project costs are £650k/MW.



### [How Much Does A Wind Turbine Cost?](#)

According to HomeGuide, the average cost for a commercial wind turbine ranges from \$2.5 million to \$4 million, with prices typically around \$1 to \$1.25 million per ...

### Solar Panels : Prices and Subsidies [Simulator 2025]

A project in Luxembourg? Klimabonus, prices, power, installers Everything you need to know about solar panels is here. Complete guide 2025.

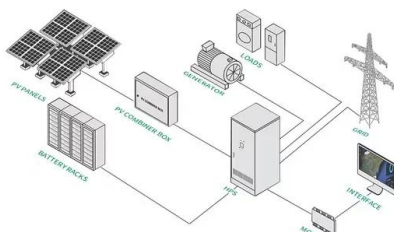


## 1 MW Solar Power Plant India: Price, Specifications

1 Megawatt Solar Power Plant Cost & Specifications On average, the cost of a 1MW solar power plant in India ranges between Rs 4 - 5 crores. Several factors influence the initial solar investment. The key component ...

## What is a Solar Farm? Costs, Pros, and Cons Explained

Are solar farms a practical way to utilize solar? Find out everything you need to know about solar panel farms, how much they cost, and more.

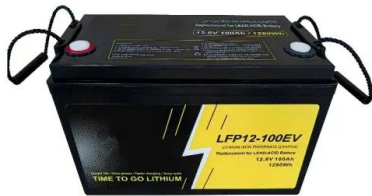


## Solar Battery Cost in Australia 2025

In this comprehensive guide, we'll break down the real numbers behind solar battery pricing in Australia. We'll explore how much a typical 10 kWh system costs after installation, the average price per usable kilowatt-hour (kWh), and what ...

## How Much Do Solar Batteries Cost? (2025 Guide)

Solar batteries make up a huge part of the cost of installing solar panels. This guide breaks down what you can expect from solar batteries' cost so that you can prepare.



## How much solar power can my roof generate?

With so many variables at play, it can take time to understand what kind of solar panel system to install at your home. Let's walk through how to calculate the amount of solar power your roof can generate based on its size, ...



## Is it worth investing in a battery for your rooftop solar?

In some cases, adding a battery to your rooftop solar system will pay off. But to be sure, households need information about many factors -- and there's no single reliable place to find it, write



## Solar Battery Prices: Are Home Batteries Finally ...

With battery rebates slashing prices by 30-40%, discover what you'll pay to add a solar battery in Australia--and if it's finally worth it.

## What is the average cost of a home battery? - Torus

Factors Affecting the Cost of Solar Batteries:  
Battery Capacity: The storage capacity of a solar battery, measured in kilowatt-hours (kWh), plays a huge role in determining its cost. Batteries ...



## Topsolar: le spécialiste des énergies renouvelables au Luxembourg

Topsolar au Luxembourg est depuis plus de 20 ans un spécialiste compétent dans les énergies alternatives, qu'il s'agisse de photovoltaïque, d'énergie solaire thermique ou d'eau de pluie.

## Solar Photovoltaic System Cost Benchmarks

The U.S. Department of Energy's solar office and its national laboratory partners analyze cost data for U.S. solar photovoltaic systems to develop cost benchmarks to measure progress towards goals and guide research and development ...



## Average Solar Battery Prices , Updated Quarterly

Average installed solar battery prices - August 2025 The table below displays average, indicative battery installation prices from a range of installers around Australia, most of whom are active in the Solar Choice ...

## 1MW Battery Energy Storage System

The MEGATRON 1MW Battery Energy Storage System (AC Coupled) is an essential component and a critical supporting technology for smart grid and renewable energy (wind and solar). The

...



## ESS

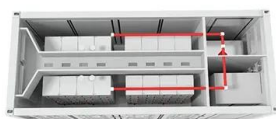


## Is it worth investing in a battery for your rooftop solar? Here's ...

In some cases, adding a battery to your rooftop solar system will pay off. But to be sure, households need information about many factors -- and there's no single reliable ...

## 250KW 300KW 500KW Solar System Cost

PVMars lists the costs of 250kW, 300kW, 500kW solar plants here (Gel battery design). If you want the price of a lithium battery design, please click on the product page of the corresponding model to find out.



## Luxembourg solar quotes battery comparison

Solar batteries are an optional addition to a solar installation. When professionals compare solar quotes, we look at a metric called cost per watt. It is simply the total system cost in dollars ...

## How Much Do Solar Storage Batteries Cost?

A solar battery system helps to protect you from energy price rises, since it means nearly all your electricity will come from solar. A three-bedroom property with a solar panel system and a 5kWh battery such as the ...

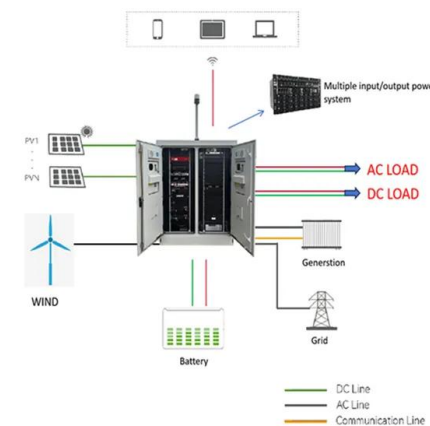


## Solar Battery Prices: Is It Worth Buying a Battery in ...

Solar batteries bring a lot of significant value to a solar system. How much do they cost? Check out the top 6 factors that affect the solar battery price.

## What is the Cost of Solar Battery: A Comprehensive Guide to ...

Discover the costs of solar batteries and how they can enhance your energy independence while reducing electricity bills. This article offers a comprehensive breakdown of ...



## How Much Does A Wind Turbine Cost?

According to HomeGuide, the average cost for a commercial wind turbine ranges from \$2.5 million to \$4 million, with prices typically around \$1 to \$1.25 million per megawatt. Onshore turbines generally have capacities ...

## SUNROVER Launches 1.3MW Solar+Storage Rooftop Project

August 5, 2025 - The SUNROVER 1.3MW rooftop distributed photovoltaic (PV) and Energy Storage project is now fully operational and successfully generating clean electricity. This ...



## Rooftop solar PV with a battery: does it stack up?

As the price reduces and technology improves, rooftop solar PV with battery storage is increasingly likely to be part of Australia's transition to renewable energy.

## Tesla Solar Panel Pricing: A Comprehensive Guide for ...

In this article, we'll break down Tesla Solar panel prices, factors that affect costs, and whether investing in Tesla's solar products is worth it for your home.



## 3kW Solar System Price in India [2023 - Updated List] ...

The cost of a 3-kW solar power system in India is around 2.7 to 3.0 lakh with an installation cost. This pricing could be varied with the project type and location.

## What's a Good Price for Rooftop Solar in 2024?

Now that we have a sense of the average, let's get familiar with the range of prices you might see for rooftop solar in 2023 and 2024. Comparing rooftop solar prices by company just like every other good and service - food, ...



## Contact Us

---

For catalog requests, pricing, or partnerships, please visit:  
<https://naturesnursery.co.za>