

## Global PV Storage Insights

# Average school solar storage price per 2MW in Slovakia



## Overview

---

If you're exploring solar energy solutions in Slovakia, understanding photovoltaic (PV) energy storage prices in Košice is crucial. This article breaks down costs, regional trends, and key factors influencing investments in solar storage systems.

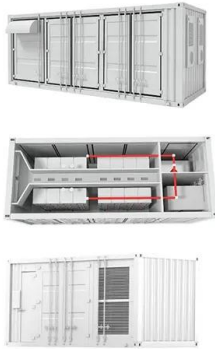
If you're exploring solar energy solutions in Slovakia, understanding photovoltaic (PV) energy storage prices in Košice is crucial. This article breaks down costs, regional trends, and key factors influencing investments in solar storage systems.

We offer complete solutions for all your solar projects. From panels to inverters to batteries, we have everything you need. We offer the best value for money. Our prices are designed to be affordable for any business, regardless of size. Take advantage of our 15 years of experience with.

You will receive the budget immediately by e-mail. The non-binding calculation is completely free. We operate throughout Slovakia and abroad. In case address not found on Google.

## Average school solar storage price per 2MW in Slovakia

---

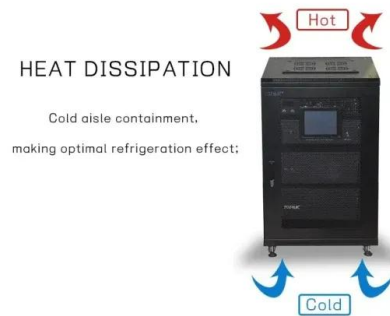


### Solar Energy

In Slovakia, electricity generation in the Solar Energy market is projected to reach 660.94m kWh in 2025. The country anticipates an annual growth rate of 0.66% during the period from 2025 to ...

### October 2023 Utility-Scale Solar, 2023 Edition

Berkeley Lab's annual Utility-Scale Solar report presents trends in deployment, technology, capital expenditures (CapEx), operating expenses (OpEx), capacity factors, the levelized cost of solar ...



### Photovoltaics, solar panels, photovoltaic inverters and batteries

We offer photovoltaic panels, photovoltaic inverters, battery storage and other components necessary for the construction and installation of solar energy systems. We have ...

### Slovakia Day Ahead Market average prices

Last 30 Days : 2025-08-05 - 2025-09-03 Day Ahead Electricity Market - average prices for Slovakia Download Chart 2025 Year - Day Ahead

Electricity Market - average prices for Slovakia



**2MWh Energy Storage System With 1MW Solar**

Flexible, Scalable Design For Efficient 2000kWh 2MWh Energy Storage System. With 1MW Off Grid Solar System For A Factory, Resort, or Town. EXW Price: US \$0.2-0.6 / Wh.

Cost of electricity by source

Levelized cost: With increasingly widespread implementation of renewable energy sources, costs have declined, most notably for energy generated by solar panels. [3][4] Levelized cost of energy (LCOE) is a measure of the average net present ...



SLOVAKIA TRAVEL COST

100 kwh of energy storage electricity cost Chiang, professor of energy studies Jessika Trancik, and others have determined that energy storage would have to cost roughly US \$20 per ...

## [PVWatts Calculator](#)

NREL's PVWatts ® Calculator Estimates the energy production of grid-connected photovoltaic (PV) energy systems throughout the world. It allows homeowners, small building owners, ...



## How Much Does Commercial & Industrial Battery Energy Storage Cost Per ...

As of recent data, the average cost of commercial & industrial battery energy storage systems can range from \$400 to \$750 per kWh. Here's a breakdown based on ...

## About

In 2007, for the purposes of cooperation in preparation and implementation of several wind and solar projects together with Raiffeisen Energy & Environment Holding SK, we founded REE ...



## SLOVAK RENEWABLE ELECTRICITY MARKET REPORT 2022

While it's difficult to provide an exact price due to the factors mentioned above, industry estimates suggest a range of \$300 to \$600 per kWh for a 1 MW battery storage system.

## Solar Installed System Cost Analysis , Solar Market ...

Solar Installed System Cost Analysis NREL analyzes the total costs associated with installing photovoltaic (PV) systems for residential rooftop, commercial rooftop, and utility-scale ground-mount systems. This work has ...

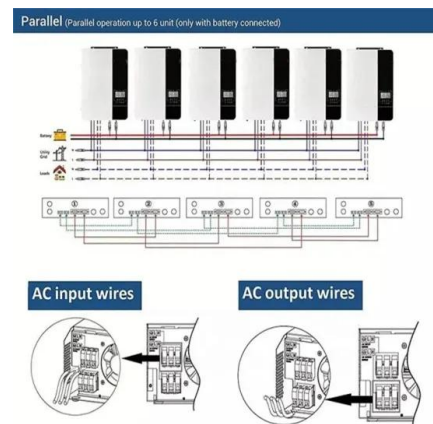


## Cost Projections for Utility-Scale Battery Storage: 2023 ...

Executive Summary In this work we describe the development of cost and performance projections for utility-scale lithium-ion battery systems, with a focus on 4-hour duration ...

## Utility-Scale PV , Electricity , 2024 , ATB , NREL

For example, in 2014, the reported capacity-weighted average system price was higher than 80% of system prices in 2014 because very large systems with multiyear construction schedules were being installed that year. Developers of ...



## POWER PLANT COST COMPARISON , Solar Power Solutions

10 mw solar pv power plant cost On average, utility-scale solar farms cost between \$820,000 to \$1.36 million per megawatt (MW) to install. For example, a 10 MW solar farm would typically ...

## Residential Battery Storage , Electricity , 2024 , ATB , NREL

The battery storage technologies do not calculate levelized cost of energy (LCOE) or levelized cost of storage (LCOS) and so do not use financial assumptions. Therefore, all parameters are ...



## SECI allocates 2 GW solar, storage at average price ...

Solar Energy Corp of India (SECI) has concluded its tender for 2 GW of solar with 1 GW/4 GWh of storage capacity at a final average price of INR 3.52 (\$0.041)/kWh. NTPC Green Energy Ltd secured 500 MW and Hero ...

## Construction cost data for electric generators

Presented below are graphs and tables of the cost data for generators installed in 2021 based on data collected by the 2021 Annual Electric Generator Report, Form EIA-860. ...



## Slovakia - pv magazine International

Slovakia added 274 MW of PV in 2024 Last year's solar additions, led by installations in the commercial and industrial sector, took Slovakia's cumulative solar capacity to over 1 GW.

## 2025 Cost of Energy Storage in California , EnergySage

As of August 2025, the average storage system cost in California is \$1031/kWh. Given a storage system size of 13 kWh, an average storage installation in California ranges in ...



To Strive forward No Energy Waste



- ✓ All in one
- ✓ 100-215kWh High-capacity
- ✓ Intelligent Integration

## Slovakia Solar Panel Manufacturing , Market Insights ...

Explore Slovakia solar panel manufacturing with market analysis, production statistics, and insights on capacity, costs, and industry growth trends.

## SOLAR PV ANALYSIS OF BRATISLAVA SLOVAKIA

Solar energy storage technology studied in the industrial park This study aims to comprehensively evaluate the economic and environmental benefits of PV and BESS installations within such ...



## UNDERSTANDING THE COSTS OF SOLAR THERMAL ...

The usual operational mode will be to gather the solar energy during sunny hours and to deliver electricity during a period of 3 - 5 hours per day. Although these plants will have a large ...

## Solar PV Analysis of Bratislava, Slovakia

Bratislava, Slovakia (latitude: 48.1833, longitude: 17.0379) offers a suitable location for generating solar photovoltaic (PV) power throughout the year. The average daily energy production per ...



## Slovakia home energy storage system price chart

On average, EnergySage shoppers see storage prices between \$1,000 and \$1,600 per kilowatt-hour stored. Depending upon the size of the battery you install, the storage cost can add ...

## Solar power price inia Slovakia

IRENA presents solar photovoltaic module prices for a number of different technologies. Here we use the average yearly price for technologies 'Thin film a-Si/u-Si or Global Price Index (from Q4 ...



## Solar panel capacity and price Slovakia

Find solar panel locations in Slovakia through our Slovakia solar farm map. Analyze the main characteristics of solar farms in this country, sort these by capacity, panels area and landscape ...

## Solar Farm Cost Investment Unveiled: True Cost of ...

Solar panels: Solar panel prices have decreased significantly in recent years, with the average cost per watt now ranging between \$0.20 and \$0.25. For a 1 MW solar farm, the solar panel cost would be approximately ...



## What is the Cost of BESS per MW? Trends and 2025 Forecast

The cost per MW of a BESS is set by a number of factors, including battery chemistry, installation complexity, balance of system (BOS) materials, and government ...



## Cost per mw of solar power

On average, solar panels cost \$8.77 per square foot of living space, after factoring in the 30% tax credit. However, the cost per square foot varies based on the size of the home. In fact, ...



## Slovak Solar

Enter your address You will receive the budget immediately by e-mail. The non-binding calculation is completely free. We operate throughout Slovakia and abroad. In case address not found on ...

## Contact Us

---

For catalog requests, pricing, or partnerships, please visit:  
<https://naturesnursery.co.za>