

Global PV Storage Insights

Average sodium ion battery storage price per 5kW in Ecuador



Overview

With costs fast declining, sodium-ion batteries look set to dominate the future of long-duration energy storage, finds AI-based analysis that predicts technological breakthroughs based on global patent data.

With costs fast declining, sodium-ion batteries look set to dominate the future of long-duration energy storage, finds AI-based analysis that predicts technological breakthroughs based on global patent data.

The average cost for sodium-ion cells in 2024 is \$87 per kilowatt-hour (kWh), marginally cheaper than lithium-ion cells at \$89/kWh. Assuming a similar capex cost to Li-ion-based battery energy storage systems (BESS) at \$300/kWh, sodium-ion batteries' 57% improvement rate will see them increasingly.

Small-scale lithium-ion residential battery systems in the German market suggest that between 2014 and 2020, battery energy storage systems (BESS) prices fell by 71%, to USD 776/kWh. With their rapid cost declines, the role of BESS for stationary and transport applications is gaining prominence.

Sodium-ion batteries offer a significant improvement rate of around 57% in 2024. The average cost for sodium-ion cells in 2024 is \$87 per kilowatt-hour (kWh), slightly cheaper than Lithium-ion cells at \$89/kWh. Assuming similar capital expenditures, sodium-ion batteries will likely reach around.

With high solar irradiance levels ranging from 4.5 to 6.5 kWh/m²/day, Ecuador offers ideal conditions for deploying solar panel battery systems, both off-grid and hybrid, across diverse environments—from the Andes to the Amazon to the Pacific coast. While solar panels generate electricity during.

As reported by poweringautos.com, the projected price for sodium-ion batteries in 2024 is approximately \$85 per kWh, which is lower than the estimated \$89 per kWh for lithium-ion batteries. This pricing gives sodium-ion batteries an edge as they advance in technology and production. The transition. How much will sodium ion batteries cost in 2028?

Assuming a similar capex cost to Li-ion-based battery energy storage systems (BESS) at \$300/kWh, sodium-ion batteries' 57% improvement rate will see them increasingly more affordable than Li-ion cells, reaching around \$10/kWh by 2028.

Will sodium-ion batteries dominate the future of long-duration energy storage?

With costs fast declining, sodium-ion batteries look set to dominate the future of long-duration energy storage, finds AI-based analysis that predicts technological breakthroughs based on global patent data. Sodium-ion batteries' rapid development could see long-duration energy storage (LDES) enter mainstream use as early as 2027.

How much does a sodium ion cell cost in 2024?

The average cost for sodium-ion cells in 2024 is \$87 per kilowatt-hour (kWh), marginally cheaper than lithium-ion cells at \$89/kWh.

Are sodium ion batteries a good investment?

Analysing 30 LDES technologies, the research found sodium-ion batteries to hold the most promise due to their fast improvement rate - around 57% in 2024. They offer more efficiency in round-trip energy use, greater operational flexibility and lose less energy during storage and supply.

Will sodium-ion batteries disrupt the LDEs market?

Credit: Fahroni/Shutterstock. Sodium-ion batteries are set to disrupt the LDES market within the next few years, according to new research - exclusively seen by Power Technology's sister publication Energy Monitor - by GetFocus, an AI-based analysis platform that predicts technological breakthroughs based on global patent data.

When will sodium ion batteries become mainstream?

Sodium-ion batteries are not only improving at a faster rate than other LDES technologies but they are also set to be cost comparable with the cheapest forms of dispatchable power, and therefore enter mainstream use, as early as 2027.

Average sodium ion battery storage price per 5kW in Ecuador

Energy storage costs

Informing the viable application of electricity storage technologies, including batteries and pumped hydro storage, with the latest data and analysis on costs and performance.



Where are EV battery prices headed in 2025 and beyond?

Lithium-ion (Li-ion) EV battery prices have decreased dramatically over the past few years, mainly due to the fall in prices of critical battery metals: Lithium, cobalt and nickel. For example, the ...



Ecuador Solar Battery Companies & Energy Storage Solutions

In Ecuador, the cost of solar battery systems is influenced by multiple factors, including system capacity (e.g., 10 kWh, 20 kWh, 30 kWh, or over 40 kWh), battery type, ...

Prices of Lithium Battery Packs and Cells: Updated Data

Lithium Battery Prices in December 2024 In 2024, the prices of lithium-ion battery cells have experienced a sharp decline, reaching \$78 per

kWh as a global average, which is \$33 less than the average price in 2023. This ...



BESS Costs Analysis: Understanding the True Costs of Battery

Excell, as a leader in the high-end energy storage battery market, has always been committed to providing clean and green energy to our global partners, continuously ...

48v 100ah Sodium Ion Battery Solar Energy Storage ...

Our sodium-ion integrated systems include a 2.4KWh sodium-ion battery paired with a 5KW inverter and a 4.8KWh sodium-ion battery paired with a 10KW inverter. These systems offer reliable, efficient energy storage with the ...



Solar Battery Prices & Sizes in Australia , Solar Market

More installers offering solar battery storage If you're thinking of buying a solar battery price will be your main concern, so let's look at what you can expect to pay based on battery size. What is the average solar battery price in Australia? ...

How much does it cost to build a battery energy ...

1) Total battery energy storage project costs average £580k/MW 68% of battery project costs range between £400k/MW and £700k/MW. When exclusively considering two-hour sites the median of battery project costs are £650k/MW.



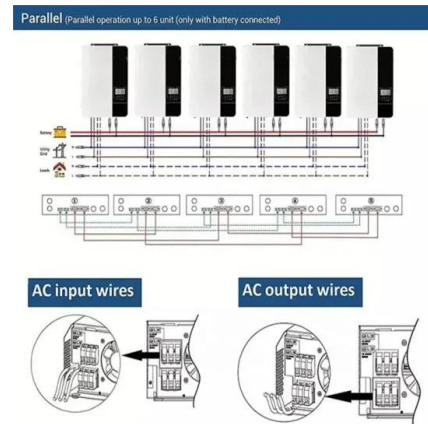
EU expects battery pack price of less than \$100/kWh ...

That trend is expected to continue. In 2026/27, the average pack price is expected to fall below \$100/kWh, based on raw material costs, competition, and pressure from alternative technology such as Na-ion ...



Solar Battery Storage Prices UK

What is the price of domestic battery storage in the UK? In this guide we explore the most popular brands, their costs, as well as the average costs of installation.



Where are EV battery prices headed in 2025 and ...

Lithium-ion (Li-ion) EV battery prices have decreased dramatically over the past few years, mainly due to the fall in prices of critical battery metals: Lithium, cobalt and nickel. For example, the price of cobalt has fallen from roughly \$70,000 ...

Ecuador Sodium Ion Battery Market (2024-2030) , Companies, ...

Market Forecast By Type (Sodium-Sulphur Battery, Sodium-Salt Battery, Sodium-Air Battery), By Application (Stationary Energy Storage, Transportation) And Competitive Landscape



Solar batteries Ireland , Solar battery costs

It depends on your energy consumption, solar panel output, the battery's storage capacity and how many days you'd like your batteries to provide power (called autonomy of power). But for the average household - consuming ...

Prices of Lithium Batteries: A Comprehensive Analysis

Lithium battery prices fluctuate due to raw material costs (e.g., lithium, cobalt), manufacturing innovations, geopolitical factors, and demand surges from EVs and renewable ...



Battery storage cost per kwh 2023 Ecuador

1,664 per kW on average during that time. Projects of increasing duration and larger energy capacities y developments in energy storage in 2023. Lithium-ion battery pack prices remain ...

Sodium over lithium: The low-cost alternative to Li-ion batteries

But even more interesting and closer in time would be stationary applications such as battery storage for solar systems because energy density plays only a minor role in ...



[Solar Storage Battery Cost \(Guide\)](#)

In our big guide to solar battery storage costs we'll cover: A quick overview of everything you need to know Battery prices for 5kWh and 10kWh units The price difference between lithium-ion and ...

What Does Green Energy Storage Cost in 2025?

In 2025, you're looking at an average cost of about \$152 per kilowatt-hour (kWh) for lithium-ion battery packs, which represents a 7% increase since 2021. Energy storage systems (ESS) for four-hour durations exceed \$300/kWh, marking the ...



Sodium battery 48V 100ah 5kwh Sodium ion Battery ...

Having been highly praised by customers, sodium battery 48v 100ah 5kwh sodium ion battery pack 5kw pv solar storage system sodium-ion batteries \$520 stands out for its superior quality and competitive prices of China wholesale ...

Technology Strategy Assessment

About Storage Innovations 2030 This technology strategy assessment on sodium batteries, released as part of the Long-Duration Storage Shot, contains the findings from the Storage ...

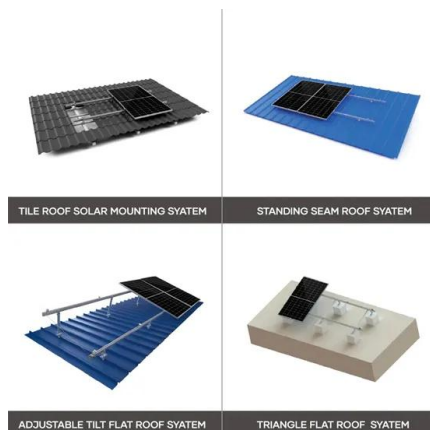


Battery storage cost per mw Ecuador

Battery storage costs have evolved rapidly over the past several years, necessitating an update to storage cost projections used in long-term planning models and other activities.

Sodium-Ion Battery Price Trends: A Comprehensive Guide for 2023

Understanding Sodium-Ion Battery Pricing Sodium-ion batteries are becoming increasingly competitive in the energy storage market. As reported by poweringautos , the ...



5 kWh Battery (Everything You Need To Know)

Considering buying a 5 kWh battery and want to learn more about it? You've come to the right place! A 5 kWh (kilowatt-hour) battery is a rechargeable battery that is often used in backup power systems. This battery ...

30 kWh Solar Battery

These solar batteries are rated to deliver 30 kilowatt hours kWh per cycle. Check your power bills to find the actual kWh consumption for your home or business. Find the average per day and the peak daily kWh consumption. We have solar ...



How Much Is a 5kW Solar Battery and What to Consider Before ...

Discover the costs of a 5kW solar battery and how it can transform your energy consumption. This article breaks down pricing factors, including battery types like lithium-ion ...

Battery Costs in 2020-2030: How Much Have Prices Dropped for ...

The price of batteries is one of the biggest factors affecting the growth of electric vehicles (EVs) and energy storage. Over the past decade, battery prices have fallen drastically, making EVs ...



TAX FREE

ENERGY STORAGE SYSTEM

Product Model
 HJ-ESS-215A(100KW/215KWh)
 HJ-ESS-115A(50KW 115KWh)

Dimensions
 1600*1280*2200mm
 1600*1200*2000mm

Rated Battery Capacity
 215KWH/115KWH

Battery Cooling Method
 Air Cooled/Liquid Cooled



Sodium-ion Batteries 2024-2034: Technology, ...

Sodium-ion Batteries 2024-2034 provides a comprehensive overview of the sodium-ion battery market, players, and technology trends. Battery benchmarking, material and cost analysis, key player patents, and 10 year ...

Detailed Home Solar Battery Guide -- Clean Energy Reviews

Detailed cost comparison and lifecycle analysis of the leading home energy storage batteries. We review the most popular lithium-ion battery technologies including the ...

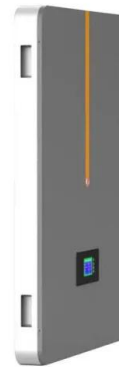


1MWh Battery Energy Storage System Prices

The current market prices have shown a downward trend, with the average price of lithium-ion battery energy storage systems reaching new lows in 2024. However, future price ...

Are Sodium Batteries The Game-Changer For Solar ...

Despite their advantages, sodium-ion batteries face several challenges that need to be addressed to fully realize their potential in renewable energy storage: Lower Energy Density: Sodium-ion batteries currently have a ...



Sodium over lithium: The low-cost alternative to Li-ion ...

But even more interesting and closer in time would be stationary applications such as battery storage for solar systems because energy density plays only a minor role in these applications. With low-cost sodium-ion ...

Solar Battery Prices: Is It Worth Buying a Battery in ...

As power outages increase nationwide, the idea of clean, quiet, and instantaneous battery backup power is growing in popularity among American homeowners. But how much does home battery storage cost? In this article, ...



Contact Us

For catalog requests, pricing, or partnerships, please visit:
<https://naturesnursery.co.za>