

Global PV Storage Insights

Average warehouse solar storage price per 3MW in Saudi Arabia



Average warehouse solar storage price per 3MW in Saudi Arabia



Saudi Arabia commissions its largest battery energy ...

From ESS News Saudi Arabia has officially connected its largest battery energy storage system (BESS) to the grid, marking a significant milestone in the country's renewable energy expansion.

Construction Costs Benchmarking Kingdom of Saudi Arabia Q1 ...

Market Highlights Riyadh, the capital of Saudi Arabia, is witnessing rapid development to become a contender amongst the world's major cities in all sectors namely ...



Saudi Arabia 1 gigawatt solar power plant cost

Saudi scientists have determined the current price threshold for power purchase agreements (PPA) that could make large-scale PV and wind power projects viable in Saudi Arabia. They ...

Saudi Arabia Connects Its Largest BESS to the Grid

The Bisha project supports Saudi Arabia's plan to expand renewable energy under Vision 2030, which aims to generate 50% of the country's

energy from renewable sources. In addition to the Bisha project, ...

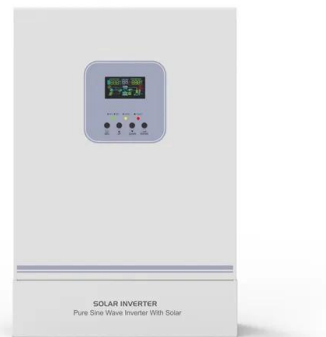


Solar Energy Storage Market Booms in Saudi Arabia

Saudi Arabia's solar energy storage market is experiencing rapid expansion, with its value reaching USD 160.43 million in 2024 and projected to climb to USD 728.01 million by 2033, according to the IMARC Group.

Guide to Warehousing in Saudi Arabia , Agility

Change management in the growing warehouse economy of Saudi Arabia As Saudi Arabia's warehouse economy expands and evolves, warehouse operators must ...



Saudi Energy Storage Solutions for a Sustainable Future , Our ...

Energy storage solutions play a pivotal role in modernizing Saudi Arabia's energy sector and ensuring reliable access to electricity. These solutions are essential for storing excess energy ...

The Middle East's Solar Shift: From Oil to Energy Powerhouse

Saudi Arabia and the UAE have already begun exploring battery storage solutions and regional grid interconnections, but without substantial investment in grid ...



The Middle East's Solar Shift: From Oil to Energy ...

Saudi Arabia and the UAE have already begun exploring battery storage solutions and regional grid interconnections, but without substantial investment in grid modernization, solar projects may face curtailment--where ...

Sudair PV IPP

Sudair PV IPP OVERVIEW Sudair Solar PV is poised to become one of the largest single-contracted solar PV plants in the world and the largest of its kind in Saudi Arabia ...



Supply Chain Readiness for Solar PV Expansion in Saudi Arabia

The Kingdom of Saudi Arabia (KSA) has an ambitious plan to install 40 GW of solar photovoltaic (PV) capacity via large scale projects (majority of which are >100 MW) ...

Solar power in Saudi Arabia

Solar power in Saudi Arabia has become more important to the country as oil prices have risen. Saudi Arabia is located in the Arabian Peninsula, where it receives 12 hours of sun a day. [1]



Full article: PV energy penetration in Saudi Arabia: current status

ABSTRACT Saudi Arabia is the largest country in the Middle East with huge solar energy resources but has achieved minimal adoption of photovoltaic energy systems ...

Saudi Arabia's solar market - pv magazine International

Saudi Arabia aims to add 10 GW of renewable energy capacity by 2027, with solar to account for the lion's share. The Middle East Solar Industry Association (MESIA) ...



Solar PV potential in Saudi Arabia by location

Below is the average daily output per kW of Solar PV installed for each season, along with the ideal solar panel tilt angles calculated for various locations in Saudi Arabia. Click on any location for more detailed information. Explore the solar ...

MENA Solar and Renewable Energy Report

The dramatic drop in the price of solar energy coupled with increasing competitiveness of storage solutions will allow solar energy for a number of usages that have traditionally been large ...



- TELECOM CABINET
- BRAND NEW ORIGINAL
- HIGH-EFFICIENCY

Saudi Arabia to Build World's Largest Solar-Storage ...

Saudi Arabia is constructing the world's largest solar-storage microgrid, a 400-MW project with 1.3 GWh energy storage, to power the Red Sea Project, a key initiative under Vision 2030.

Case Studies of Solar Powered Warehouses in Saudi Arabia

Explore success stories in solar panel integration in the Kingdom's warehouse and logistics facilities. Learn how businesses save costs and boost efficiency.



Solar Installed System Cost Analysis , Solar Market ...

Solar Installed System Cost Analysis NREL analyzes the total costs associated with installing photovoltaic (PV) systems for residential rooftop, commercial rooftop, and utility-scale ground-mount systems. This work has ...

Saudi Arabia Solar Energy Storage Market Size

The Saudi Arabia solar energy storage market size reached USD 160.43 Million in 2024. Looking forward, IMARC Group expects the market to reach USD 728.01 Million by 2033, exhibiting a growth rate (CAGR) of 17.10% during 2025-2033.



Saudi Arabia launches 3 GW solar tender

Saudi Power Procurement Co. (SPPC) has announced a request for qualification (RFQ) for 3 GW of solar across four projects in the sixth round of Saudi Arabia's ...

Using the sun: Solar revolution in Saudi Arabia

Saudi Arabia leads the world in the extraction of energy from the Earth, but what is drawing attention is the Kingdom's determination to harness a power source in the sky. The Gulf major's solar business is being driven by ...



Solar PV Analysis of Riyadh, Saudi Arabia

Maximise annual solar PV output in Riyadh, Saudi Arabia, by tilting solar panels 22degrees South. In Riyadh, Saudi Arabia (latitude: 24.7135517, longitude: 46.6752957), the ...

Saudi Arabia Energy Storage System Market Size & Share (2024 ...

Electrochemical storage solutions are instrumental in stabilizing grid supply and storing surplus energy generated from solar and wind resources, aligning well with Saudi Arabia's Vision 2030 ...



Energy storage(KWh)

102.4kWh

Nominal voltage(Vdc)

512V

Outdoor All-in-one ESS cabinet

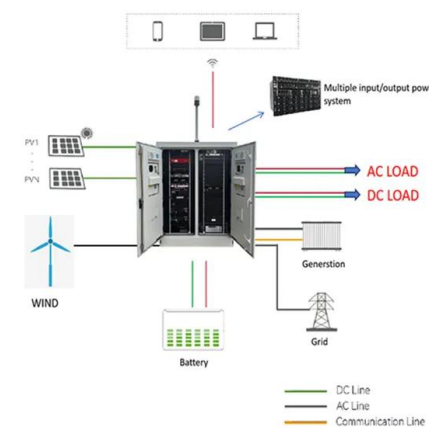


Feasibility study of the grid connected 10 MW installed capacity ...

The study presents technical, environmental and economic aspects for the selection of viable sites for constructing 10 MW installed capacity grid connected photovoltaic ...

Supply Chain Readiness for Solar PV Expansion in ...

The Kingdom of Saudi Arabia (KSA) has an ambitious plan to install 40 GW of solar photovoltaic (PV) capacity via large scale projects (majority of which are >100 MW) across the country by 2030. These projects are required to achieve ...



Saudi Arabia launches 3 GW solar tender

Saudi Power Procurement Co. (SPPC) has announced a request for qualification (RFQ) for 3 GW of solar across four projects in the sixth round of Saudi Arabia's renewable energy tender program.

Solar Energy in Saudi Arabia: Perspectives

Saudi Arabia, the epicenter of global oil industry, has been showing keen interest in solar energy in recent years. Saudi Arabia has one of the world's highest solar irradiation in the world, estimated at approximately 2,200 ...



Saudi Arabia Approves 33 Firms for Groundbreaking ...

4 ??? Saudi Arabia has taken a significant step toward revolutionizing its renewable energy sector, announcing the prequalification of 33 companies for its ambitious 8GWh Battery Energy Storage System (BESS) projects. This ...

Huawei unveils world's largest microgrid - pv magazine International

Huawei Digital Power has built a solar-storage microgrid project in Saudi Arabia's Red Sea New City. It said that the plant has been operating smoothly for a year, ...



Contact Us

For catalog requests, pricing, or partnerships, please visit:
<https://naturesnursery.co.za>