

Global PV Storage Insights

Average wind solar storage price per 1GW in Zimbabwe



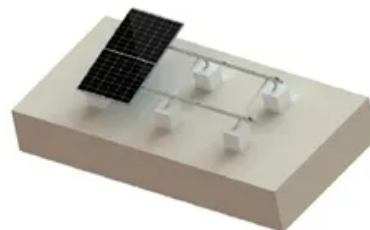
TILE ROOF SOLAR MOUNTING SYSTEM



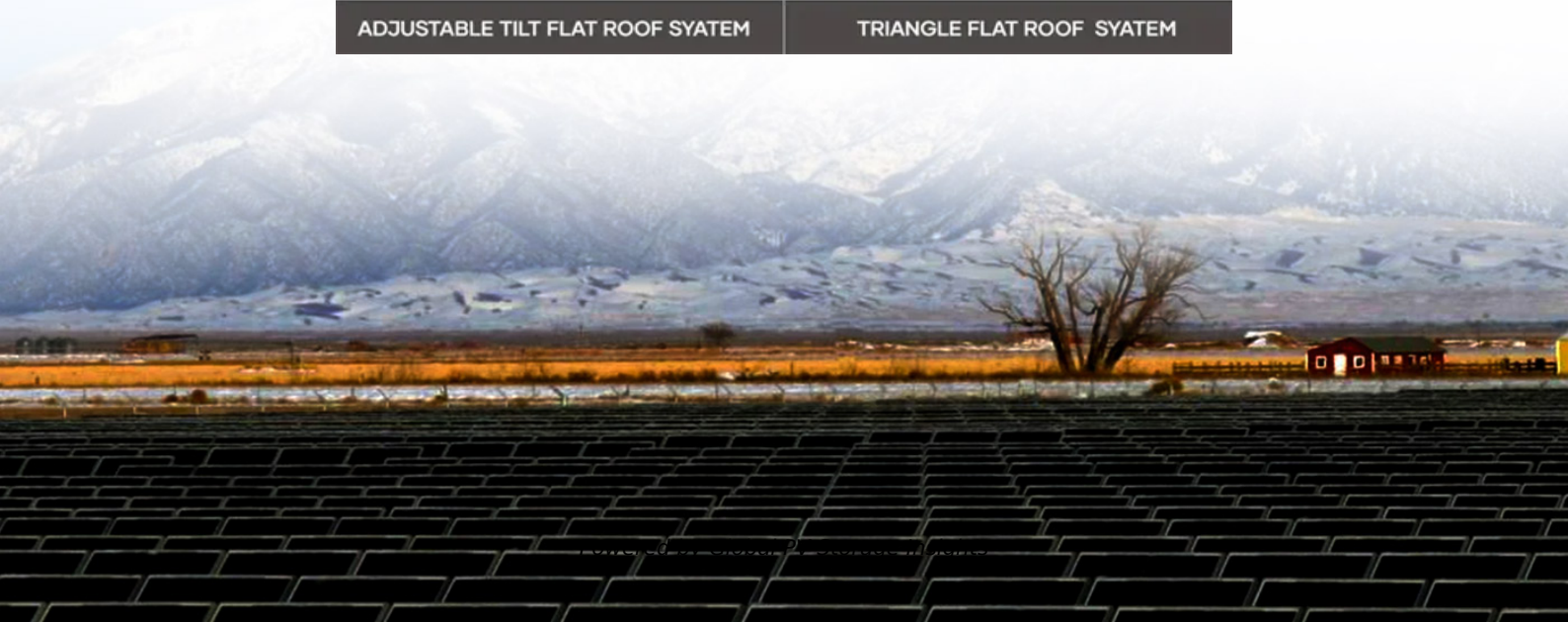
STANDING SEAM ROOF SYSTEM



ADJUSTABLE TILT FLAT ROOF SYSTEM



TRIANGLE FLAT ROOF SYSTEM



Overview

How much does a solar IPP cost in Zimbabwe?

In December 2022, Zimbabwe announced a government implementation agreement (GIA) to expedite the commissioning of 27 solar IPP installations. The 1 GW of projects range from 5 MW arrays to 100 MW solar parks and will cost about USD 1 billion in total.

What is Zimbabwe's energy demand?

Zimbabwe's increased economic activity in various sectors, including housing development and construction, has fueled a demand for energy and electricity demand in general. The Government of Zimbabwe estimates the surge in power demand to peak at 2000 MW in 2023, as compared to 1200 MW in 2021.

How much electricity does Zimbabwe generate?

Zimbabwe relies heavily on hydro-powered resources to generate electricity. As per the International Renewable Energy Agency (IRENA), Zimbabwe generated around 7 TWh of electricity in 2021 via hydro-powered resources, accounting for 58.2 % of the total electricity generated in the country.

How has Zimbabwe increased its power generation capacity in 2021?

The government of Zimbabwe has increased its focus on increasing power generation capacity by integrating renewables into the mix. As of 2021, the installed renewable energy capacity was 1,211 MW compared to 878 in 2015. The installed capacity in the country has increased by almost 38%.

Is Sona solar Zimbabwe a good company?

Sona Solar Zimbabwe stands out as one of the most reputable companies in Zimbabwe. Sona Solar Zimbabwe offers reliable systems with a 25-year warranty, 10-year workmanship warranty, and two-year production guarantee. Sona Solar Zimbabwe prides itself on offering original solar products and

accessories.

Does Sona solar Zimbabwe offer a warranty?

Sona Solar Zimbabwe offers reliable systems with a 25-year warranty, 10-year workmanship warranty, and two-year production guarantee. Sona Solar Zimbabwe prides itself on offering original solar products and accessories. Sona Solar Zimbabwe also maintains partnerships with reputable brands around the world.

Average wind solar storage price per 1GW in Zimbabwe



Renewable Energy Market in Zimbabwe 2025 Trends ...

Solar energy holds considerable promise due to the country's plentiful sunlight, with various projects in progress to deploy solar panels for both grid-connected and off-grid applications. While the potential for wind energy is ...



THE PRICE OF SOLAR POWERED SYSTEMS IN ZIMBABWE ...

Myanmar solar energy 2024 Solar power in Myanmar has the potential to generate 51,973.8

1 MW Solar Power Plant India: Price, Specifications & More

1 Megawatt Solar Power Plant Cost & Specifications On average, the cost of a 1MW solar power plant in India ranges between Rs 4 - 5 crores. Several factors influence the ...



Utility-Scale Solar , Energy Markets & Policy

PPA prices have largely followed the decline in solar's LCOE over time, but newly signed longer-term PPA prices have increased since 2021, to an average of \$35/MWh (levelized, in 2023 dollars). Solar's average energy and capacity ...

TWh/year, with an average of over 5 sun hours per day. Even though most electricity is ...



Average U.S. construction costs for solar generation ...

The annual capacity-weighted average construction costs for solar photovoltaic systems in the United States continued to decrease in 2019, dropping by a little less than 3%, according to our latest data on newly ...

Winter 2025 Solar Industry Update

In Q3 2024, the average U.S. module price (\$0.29/Wdc) was down 6% q/q and down 12% y/y, and was at a 190% premium over the global spot price. Analysts saw U.S. module price ...



Zimbabwe Solar System Prices 2025

Crucially, it provides essential solar price comparison functionality, allowing consumers to easily compare solar system prices in Zimbabwe (2025), understand true solar installation costs in ...

Cost Projections for Utility-Scale Battery Storage: 2021 ...

Executive Summary In this work we describe the development of cost and performance projections for utility-scale lithium-ion battery systems, with a focus on 4-hour duration ...



The Economics of Utility-Scale Solar Generation: Summary

Further falls in the cost of solar panels will only have a limited impact on total capex costs. 3. The average annual level of opex costs per MW of capacity for solar plants is 3 ...

Energy storage costs

Overview Energy storage technologies, store energy either as electricity or heat/cold, so it can be used at a later time. With the growth in electric vehicle sales, battery storage costs have fallen ...



Cost of capital in different countries for a 100 MW ...

Cost of capital in different countries for a 100 MW Solar PV project, 2019-2022 - Chart and data by the International Energy Agency.

Solar Market Insight Report - SEIA

learn more About the Report U.S. Solar Market Insight® is a quarterly publication of the Solar Energy Industries Association (SEIA)® and Wood Mackenzie Power & Renewables.



SOLAR POWER COSTS IN ZIMBABWE

Solar Power Costs in Zimbabwe solar system prices in Zimbabwe aren't just about kilowatts and panels. They're about survival. With grid electricity prices jumping 49% this year alone (ZERA ...



Analysis of Solar Power Generation Costs in Japan 2021

This report is the follow-up to the report published in 2019, "Solar Power Generation Costs in Japan: Current Status and Future Outlook" (the "2019 report"), and it ...



Efficient Higher Revenue

- Max. Efficiency 97.5%
- Max. PV Input Voltage 600V
- 500W Peak Output Power
- 2-MPP Trackers, 100% DC Input Dimming
- Max. PV Input Current 20A, Compatible with High-Power Modules

Intelligent Simple O&M

- IP66 Protection Degree: support outdoor installation
- Smart I-V Curve Diagnosis Function: locate PV string faults accurately and automatically detect faults
- DC & AC Surge & SPD: prevent lightning damage
- Battery Reverse Connection Protection

Flexible Abundant Configuration

- Plug & Play, EPT Switching under 10ms
- Compatible with Lead-acid and Lithium Batteries
- Max. 6 Units Inverter Parallel
- ARC Function (Optional): when an arc fault is detected the inverter immediately stops operation

1MW Solar Power Plant: Real Costs and Revenue ...

A 1 MW solar power plant typically generates between 1,600 to 1,800 kilowatt-hours (kWh) per day under optimal conditions, translating to approximately 4-4.5 units of electricity annually per installed kilowatt.

Construction Costs for Gas-fired Power Remains Well ...

The Energy Information Administration (EIA) recently released power plant cost data and found a decrease in the cost of gas-fired electricity, while the price of wind and solar power rose after a long-term decline. The ...

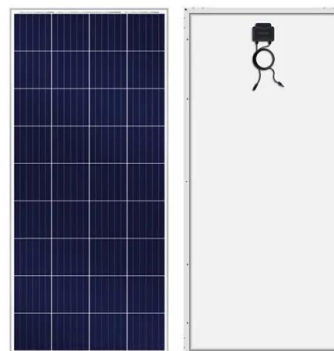


Gigawatt (GW) , Definition, Examples, & How Much ...

A gigawatt is a unit of power equal to one billion watts. Discover what it is, how much energy it produces, and learn more about gigawatt projects.

Capital Cost and Performance Characteristics for Utility ...

Findings Table 1 summarizes updated cost estimates for reference case utility-scale generating technologies specifically two powered by coal, five by natural gas, three by solar energy and by ...



ENERGY PROFILE Zimbabwe

tion of wind resources. Areas in the third class or above are considered to d as biomass each year. It is a basic measure f biomass productivity. The chart shows the average NPP in the ...

Zimbabwe

Specifically for Zimbabwe, country factsheet has been elaborated, including the information on solar resource and PV power potential country statistics, seasonal electricity generation variations, LCOE estimates and cross-correlation with the ...



1 MW Solar Power Plant India: Price, Specifications

1 Megawatt Solar Power Plant Cost & Specifications On average, the cost of a 1MW solar power plant in India ranges between Rs 4 - 5 crores. Several factors influence the initial solar investment. The key component ...

2022 Cost of Wind Energy Review

Executive Summary The 12th annual Cost of Wind Energy Review, now presented as a slide deck, uses representative utility-scale and distributed wind energy projects to estimate the ...



Solar System Prices & Packages (2025) , Solarpro Zimbabwe

Installed packages, Rent-to-Buy options, and instant WhatsApp quotes. Reliable backup power for homes & businesses in Zimbabwe.

What Will It Cost To Generate Electricity?

The average cost of battery storage systems is anticipated to drop more than 50% by 2050. The cost of utility-scale solar in 2022 was down 84% from 2010. Solar power purchase agreements in the West were an ...

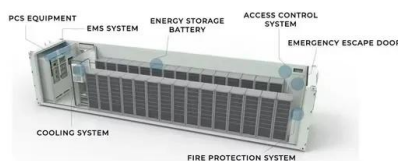


Gas Turbine costs \$/KW

How much does it cost to build a Simple Cycle or Combined Cycle plant? In fixed 2024 US dollars, natural gas-fired power plants continue to be the least expensive to build in costs per KW, when compared to Utility ...

Does size matter? The economics of the grid-scale ...

Analysis indicates, however, that new renewables with energy storage are now competitive with new gas in providing flexible generation services. This is because of recent declines in capital costs of both wind and solar, coupled with ...



UNDERSTANDING THE COSTS OF SOLAR THERMAL ...

For these two most deployed renewable technologies is relatively easy to determine the cost of the generated electricity at a given site - provided that the resource is known -- taking into ...

SOLAR GEYSER PRICES IN ZIMBABWE

Solar energy storage technology studied in the industrial park This study aims to comprehensively evaluate the economic and environmental benefits of PV and BESS installations within such ...

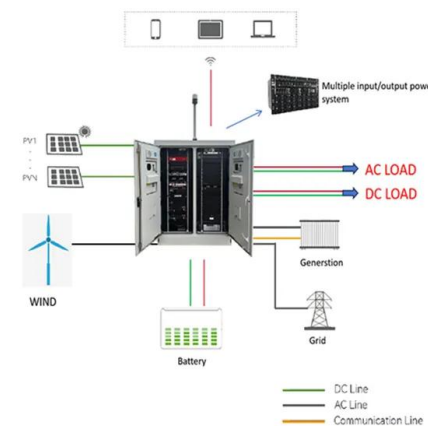


Comparative energy technology costs

Firming capacity is the additional energy required to ensure that electricity is available when needed. For example, because wind power fluctuates with the amount of wind available, ...

Spring 2023 Solar Industry Update

In 2022, 61% of new PV was distributed, 39% was utility scale. Wind and solar accounted for 64% of capacity installed in 2022, and together they have constituted the most capacity installed for ...



Plunging cost of big batteries: Latest gigawatt scale project may ...

The big mover in the CSIRO's GenCost report was the plunging cost of battery storage. One major battery project may already be doing much better.

Solar Industry Research Data - SEIA

Growth in Solar is Led by Falling Prices Solar installation price drops over the last decade have made solar economically competitive with other sources of electricity generation and led to its growth in new markets. An average-sized residential ...



Support Customized Product



Nuclear vs Renewables - which is cheaper?

This \$72.8 billion figure doesn't even include the wind turbines and solar panels themselves, or the long list of battery projects currently underway, or the future transmission and storage projects that a renewables ...

Contact Us

For catalog requests, pricing, or partnerships, please visit:
<https://naturesnursery.co.za>