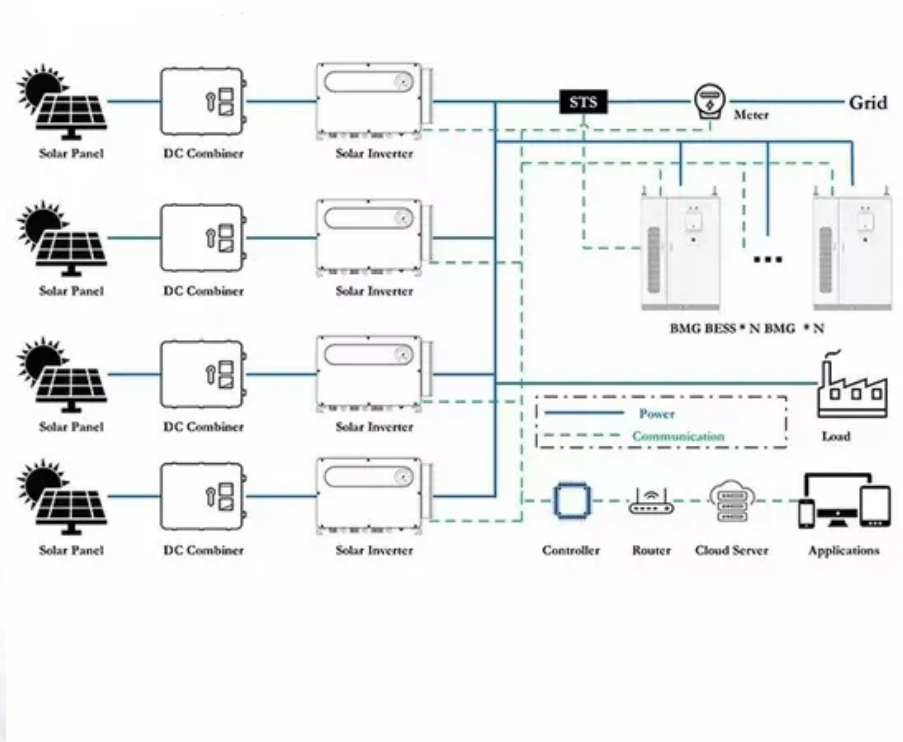


Global PV Storage Insights

Hybrid renewable storage supplier quotation in Panama 2025



Hybrid renewable storage supplier quotation in Panama 2025



Panama to Include Storage in Energy Auctions

Panama's grid expansion, managed by the Electric Transmission Company (ETESA), is reviewed annually to integrate new generation capacity effectively. The country is ...

Panama's Energy Revolution: How Lithium Battery Storage is ...

...

You know, Panama's energy sector's at a crossroads. With 62% of electricity still generated from fossil fuels in 2023, the country's staring down climate commitments made at ...



Quotation Are Invited For Provision And Installation Of Hybrid

Deadline for Submission: 19/09/2025 Atayeb Al Rif Cooperative (AAR), within the framework of the IGNITE Project, is inviting qualified suppliers and service providers to submit quotations for ...

Battery Energy Storage Systems Report

This information was prepared as an account of work sponsored by an agency of the U.S. Government. Neither the U.S. Government nor

any agency thereof, nor any of their employees,
...

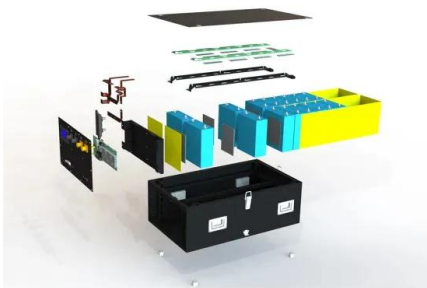


Panama City Energy Storage Project Competition: Charging Up ...

What's Sparking the Global Interest in Panama's Energy Storage Race? Ever wondered how a small country could become the testing ground for the world's coolest energy ...

Top Hybrid Inverters Manufacturers Suppliers in Panama

What Is a Hybrid Solar System? As the name suggests, a hybrid solar system is a solar system that combines the best characteristics from both grid-tie and off-grid solar systems. In other ...



Panama City Energy Storage Ranking 2025: Key Players and ...

This 50 MW solar + 200 MWh storage site northeast of Panama City uses predictive analytics to balance six renewable sources. During January's grid instability, it provided 18 hours of backup ...

Solar Hybrid System

Find here Solar Hybrid System, Hybrid Solar Power System manufacturers, suppliers & exporters in India. Get contact details & address of companies manufacturing and supplying Solar Hybrid System, Hybrid Solar Power ...



Atlas Renewable Energy Closes Largest Financing Deal In ...

MIAMI, FL, UNITED STATES, April 21, 2025 // --, an international leader in renewable energy solutions, secured the largest financing in its history for Estepa, a hybrid ...

2025 All Source RFP

The resource shall be able to be dispatched as a co-located resource (individual setpoints for the solar and energy storage system), or as a hybrid (single site level setpoint for the solar and ...



Top Hybrid Inverters Distributors Suppliers in Panama

The National Energy Plan 2015-2020 of Panama has an ambitious target of making 70 percent of the country's energy supply coming from a renewable source within a 35-year period. This plan ...

Greenergy unveils EUR3.5B hybrid solar-storage push in Chile & Spain

Spain's Greenergy has announced a EUR3.5B plan for 2025-2027 to scale hybrid solar and storage in Chile, launch Greenbox in Europe, and expand GR Power operations.



Wind Energy Technology and Operations 2025 ...

Looking to connect with verified exhibitors and attendees at Wind Energy Technology and Operations 2025? As one of the leading international events for wind power and renewable energy, WETO brings together the full clean ...

The state of battery storage (BESS) in Latin America: ...

The opportunities for battery energy storage systems are growing rapidly in Latin America. Below are some key details for those who want to understand and succeed in the BESS market. In 2010, the IEA projected ...



Enlight Renewable Energy Expands Gecama Wind Project to ...

Enlight expands Gecama Wind Project into Spain's largest hybrid power complex, integrating wind, solar, and battery storage technologies.

DASUHYDROPOWERPROJECT LOCAL AREA ...

RFQ -Design, Supply, Installation, Testing and Commissioning of 10 Kw Hybrid on Grid Solar Power System in Jamia Masjid Komila, Kohistan Instructions for Request for Quotation & ...

Applications



Latin America's Energy Storage Boom: Market & Outlook 2025

Latin America is entering a transformative decade in its energy landscape, driven by the urgent need to expand power output, decarbonize, lower energy costs, improve ...

Panama city energy storage solutions

Hybrid Small Modular Reactor--Renewable The global transition to clean energy necessitates integrated solutions that ensure both environmental sustainability and energy security. This ...



Growth Engines and Strategic Opportunities for ...

As Panama looks toward 2025, the country is poised to become a strategic hub for logistics, energy, tourism, agribusiness, and technology. This article explores key opportunities for economic development ...

10kw Hybrid Solar Energy System Super Sept. Promo Complete ...

Now we are mainly installing factory projects about 100kwh to 500kwh storage ESS with 10/20feet containers, HVAC, hybrid inverter, PCS chargers, battery storage, mounting brackets etc" 7, ...



Top Hybrid Inverters OEM Suppliers in Panama

Solar Market Outlook in Panama The National Energy Plan 2015-2020 of Panama has an ambitious target of making 70 percent of the country's energy supply coming from a renewable ...

3 kW Solar Hybrid System Latest Price, ...

Find here 3 kW Solar Hybrid System manufacturers, suppliers & exporters in India. Get contact details & address of companies manufacturing and supplying Solar Hybrid System across India.



Panama preparing new renewables auction

Panama plans to launch a renewables auction by late October, with state-run Electric Transmission Co. (ETESA) set to submit tender documents for regulatory approval.

Bluesun Complete Commercial Solar Energy System 50kw ...

Bluesun Complete Commercial Solar Energy System 50kw 100kw 150kw 500kw Hybrid OFF Grid Solar System for Hotel and Industry No reviews yet +2 more Bluesun Outdoor Energy Co., Ltd. ...



Top Hybrid Inverters Suppliers in Panama

What Is a Hybrid Solar System? As the name suggests, a hybrid solar system is a solar system that combines the best characteristics from both grid-tie and off-grid solar systems. In other ...

Panama solar auction: 2025's Powerful Renewable ...

4 ???· The 2025 energy auction marks a pivotal moment in Panama's transition to a cleaner, more sustainable energy future. It is expected to not only boost the proportion of renewable energy but also attract significant investment ...



B2B Marketplace Panama by SJN / Manufacturers, Suppliers

supplier search and industry platform with engineers, service providers, manufacturers, suppliers, and products from companies in Panama

Unlocking the Full Value of Hybrid Renewable and Storage Projects

What policy and regulatory changes are necessary to incentivise large-scale hybrid-BESS deployment across Asia? How can energy storage be leveraged to improve energy access in ...



Hybrid Energy Solutions: Advantages & Challenges

Hybrid energy solutions merge renewable sources, energy storage, and traditional power generation to provide a balanced, reliable energy supply. As businesses navigate the energy transition, these systems offer ...

2025 Trends

Clean energy has eclipsed fossil fuel funding by a factor of two, and solar PV now exceeds combined investments in all other power generation technologies. Infrastructure and storage ...



Panama Hybrid Storage Market (2025-2031) , Trends, Outlook

6Wresearch actively monitors the Panama Hybrid Storage Market and publishes its comprehensive annual report, highlighting emerging trends, growth drivers, revenue analysis, ...

Contact Us

For catalog requests, pricing, or partnerships, please visit:
<https://naturesnursery.co.za>