

Global PV Storage Insights

Lead acid battery storage cost breakdown in Yemen 2025



Overview

Yemen is no stranger to electricity challenges, making it crucial for both residents and businesses to explore robust energy storage options. One such solution that has gained prominence is the 200 AH Lead Acid Tubular Battery.

Yemen is no stranger to electricity challenges, making it crucial for both residents and businesses to explore robust energy storage options. One such solution that has gained prominence is the 200 AH Lead Acid Tubular Battery.

Figure ES-2 shows the overall capital cost for a 4-hour battery system based on those projections, with storage costs of \$147/kWh, \$243/kWh, and \$339/kWh in 2035 and \$108/kWh, \$178/kWh, and \$307/kWh in 2050 (values in 2024\$). Battery variable operations and maintenance costs, lifetimes, and.

6W monitors the market across 60+ countries Globally, publishing an annual market outlook report that analyses trends, key drivers, Size, Volume, Revenue, opportunities, and market segments. This report offers comprehensive insights, helping businesses understand market dynamics and make informed.

But here's the kicker: while global lithium-ion battery prices have dropped to \$0.495/Wh in 2024 [3] [4], Yemeni buyers still face a pricing rollercoaster. Let's unpack this paradox. Yemen's battery market operates like a middleman marathon. A typical 10kWh system that costs \$4,950 in China [4].

Note: Calculations include 6% annual capital cost, excluding lead acid replacement labor fees. "Lithium's LCOE has plummeted to 0.08/kWh versus lead acid's 0.23/kWh, creating an irreversible economic shift." Edit by paco Discover why lithium batteries deliver 63% lower LCOE.

This report explores the key dynamics shaping the battery market across the region: from the rise of lithium-ion and solid-state technologies to growing applications in energy storage, electric mobility, and industrial resilience. Backed by national strategies such as Saudi Arabia's Vision 2030 and.

Innovation reduces total capital costs of battery storage by up to 40% in the power sector by 2030 in the Stated Policies Scenario. This renders battery storage paired with solar PV one of the most competitive new sources of electricity, including compared with coal and natural gas. The cost cuts. How much will batteries be invested in the Nze scenario?

Investment in batteries in the NZE Scenario reaches USD 800 billion by 2030, up 400% relative to 2023. This doubles the share of batteries in total clean energy investment in seven years. Further investment is required to expand battery manufacturing capacity.

How does innovation affect battery storage?

Innovation reduces total capital costs of battery storage by up to 40% in the power sector by 2030 in the Stated Policies Scenario. This renders battery storage paired with solar PV one of the most competitive new sources of electricity, including compared with coal and natural gas.

Do projected cost reductions for battery storage vary over time?

The suite of publications demonstrates wide variation in projected cost reductions for battery storage over time. Figure ES-1 shows the suite of projected cost reductions (on a normalized basis) collected from the literature (shown in gray) as well as the low, mid, and high cost projections developed in this work (shown in black).

What is the future of battery storage?

Batteries account for 90% of the increase in storage in the Net Zero Emissions by 2050 (NZE) Scenario, rising 14-fold to 1 200 GW by 2030. This includes both utility-scale and behind-the-meter battery storage. Other storage technologies include pumped hydro, compressed air, flywheels and thermal storage.

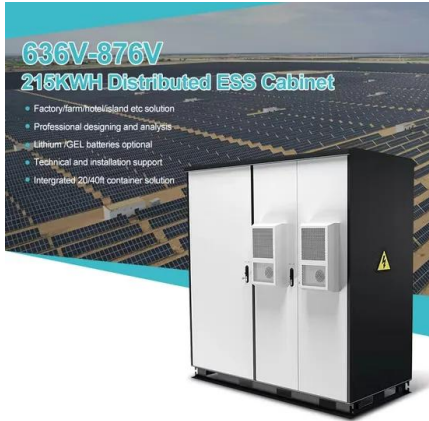
When are battery cost projections updated?

In 2019, battery cost projections were updated based on publications that focused on utility-scale battery systems (Cole and Frazier 2019), with updates published in 2020 (Cole and Frazier 2020), 2021 (Cole, Frazier, and Augustine 2021), and 2023 (Cole and Karmakar 2023).

How important are batteries in EVs & storage applications?

Batteries in EVs and storage applications together are directly linked to close to 20% of the CO₂ emissions reductions needed in 2030 on the path to net zero emissions. Investment in batteries in the NZE Scenario reaches USD 800 billion by 2030, up 400% relative to 2023.

Lead acid battery storage cost breakdown in Yemen 2025

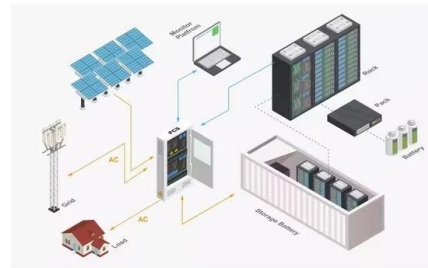


Lithium vs. Lead-Acid Batteries: A Dollar per kWh per Year Cost

Now, the battery math Let's combine all the factors and calculate the cost per kWh per year to see which option offers a better deal. Cost per kWh per year for lead-acid ...

Lithium-Ion Battery Pack Prices See Largest Drop ...

New York, December 10, 2024 - Battery prices saw their biggest annual drop since 2017. Lithium-ion battery pack prices dropped 20% from 2023 to a record low of \$115 per kilowatt-hour, according to analysis by research provider ...



[A Complete Guide to Lead Acid BMS](#)

In today's world of energy storage, Battery Management Systems (BMS) are essential for ensuring the safety, efficiency, and longevity of batteries across various applications. When it comes to lead-acid batteries, ...

Cost Projections for Utility-Scale Battery Storage: 2023 Update

Executive Summary In this work we describe the

development of cost and performance projections for utility-scale lithium-ion battery systems, with a focus on 4-hour duration ...

TAX FREE

ENERGY STORAGE SYSTEM

Product Model
 HJ-ESS-215A(100KW/215KWh)
 HJ-ESS-115A(50KW 115KWh)

Dimensions
 1600*1280*2200mm
 1600*1200*2000mm

Rated Battery Capacity
 215KWH/115KWH

Battery Cooling Method
 Air Cooled/Liquid Cooled

TAX FREE

1-3MWh
BESS

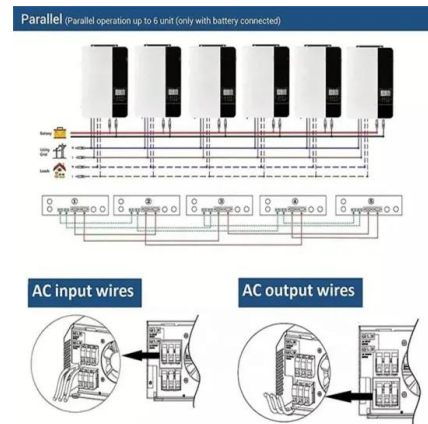


Historical and prospective lithium-ion battery cost trajectories ...

Recent trends indicate a slowdown, including a slight cost increase in LiBs in 2022. This study employs a high-resolution bottom-up cost model, incorporating factors such ...

Utility-Scale Battery Storage , Electricity , 2023 , ATB

Projected Utility-Scale BESS Costs: Future cost projections for utility-scale BESS are based on a synthesis of cost projections for 4-hour duration systems as described by (Cole and Karmakar, 2023). The share of energy and power ...



- Voltage range: 91.2-947.2V
- >6000 cycles(100%DOD)
- Rated battery capacity: 216KWH (customizable)
- EMS communication: 4G/CAN/RS485

Battery price per kwh 2025, Statista

The cost of lithium-ion batteries per kWh decreased by 20 percent between 2023 and 2024. Lithium-ion battery price was about 115 U.S. dollars per kWh in 202.

200 AH Lead Acid Tubular Battery Price in Yemen 2025

200 AH Lead Acid Tubular Battery Price in Yemen 2025 In a world where power outages can disrupt daily life and business operations, having a dependable energy backup solution is ...



How Much Does Commercial & Industrial Battery Energy Storage Cost ...

Benefits of Investing in Commercial & Industrial Battery Energy Storage Despite the costs, investing in commercial & industrial battery energy storage can offer numerous ...

Lithium Battery Costs: Key Drivers Behind Pricing Trends

Lithium battery costs impact many industries. This in-depth pricing analysis explores key factors, price trends, and the future outlook.



(PDF) Multiphysics Engineered Next-Generation Lead ...

This report explores advancements in lead-acid battery technology, focusing on innovations that enhance their application in electric vehicles (EVs) and energy storage systems. Despite the rise of

New Energy Storage Battery Technology in Yemen: Powering the ...

As global attention shifts toward renewable energy storage solutions, Yemen stands at a crossroads--and new energy storage battery technology might just hold the key to its ...



To Strive forward No Energy Waste



- ✓ All in one
- ✓ 100~215kWh High-capacity
- ✓ Intelligent Integration

Lead Acid Battery Statistics 2025 By Renewable Energy Storage

Introduction Lead Acid Battery Statistics: Lead-acid batteries, are among the oldest and most widely used rechargeable battery types. Operate through a chemical reaction ...

Yemen Advanced Lead Acid Battery Market (2025-2031)

Yemen Advanced Lead Acid Battery Market (2025-2031) , Growth, Outlook, Companies, Segmentation, Size, Value, Trends, Revenue, Share, Forecast, Industry & Analysis

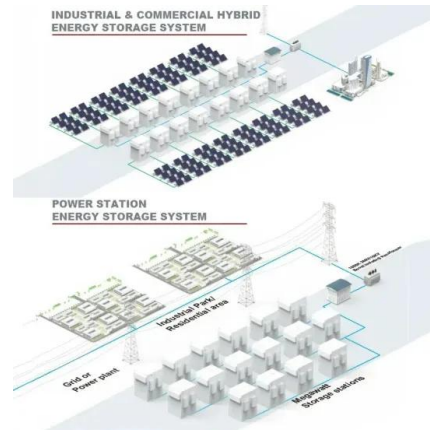


Consortium for Battery Innovation , » Lead battery market data

Global battery market Increase of 110,000 MWh predicted between 2025 and 2030, with lead batteries representing the second largest market in the global rechargeable battery market ...

Enabling renewable energy with battery energy ...

These developments are propelling the market for battery energy storage systems (BESS). Battery storage is an essential enabler of renewable-energy generation, helping alternatives make a steady contribution to the ...



200 AH Lead Acid Tubular Battery Price in Yemen 2025

Yemen is no stranger to electricity challenges, making it crucial for both residents and businesses to explore robust energy storage options. One such solution that has gained prominence is the ...

Battery Market Outlook 2025-2030: Insights on ...

Battery Market Outlook 2025-2030: Insights on Electric Vehicles, Energy Storage and Consumer Electronics Growth Global Battery Industry Forecast to 2030 with Focus on Lithium-Ion, Lead-Acid, and



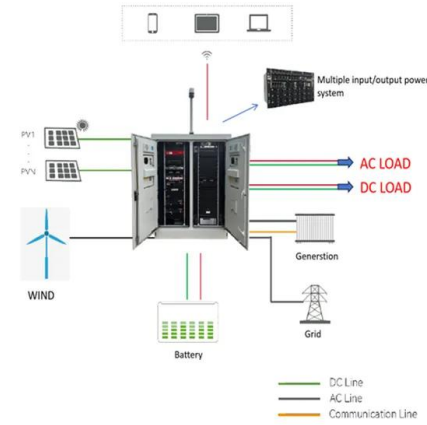
Battery Energy Storage Cabinet Cost: A 2025 Breakdown for ...

Let's cut to the chase: battery energy storage cabinet costs in 2025 range from \$25,000 to \$200,000+ - but why the massive spread? Whether you're powering a factory or ...

Energy Storage Battery Prices in Yemen: Trends, Challenges, ...

...

Imagine a country where power outages are as predictable as sunrise - welcome to Yemen. With its aging grid and political instability, Yemen's energy crisis has ...



Top Battery Companies in Yemen 2025

Which battery is best for solar? Lento Batteries used in home energy storage typically are made with one of three chemical compositions: lead acid, lithium ion, and saltwater. In most cases, ...

The Future of Battery Market in the Middle East & Africa

This report explores the key dynamics shaping the battery market across the region: from the rise of lithium-ion and solid-state technologies to growing applications in energy storage, electric ...

...



The Real Cost of Commercial Battery Energy Storage ...

A standard 100 kWh system can cost between \$25,000 and \$50,000, depending on the components and complexity. What are the costs of commercial battery storage? Battery pack - typically LFP (Lithium Uranium ...

Energy Storage Technology and Cost Characterization Report

Abstract This report defines and evaluates cost and performance parameters of six battery energy storage technologies (BESS) (lithium-ion batteries, lead-acid batteries, redox flow batteries, ...



The Battery Cell Factory of the Future , BCG

By adopting this approach, battery cell producers can improve cost efficiency by up to 30% compared with the current industry average. As price pressure builds amid overcapacity, this is a pivotal moment for decision ...

Lithium vs. Lead-Acid Batteries: A Comprehensive 10-Year Cost

Discover why lithium-ion batteries outperform lead-acid in a 10-year cost breakdown. Explore technical comparisons, hidden value drivers, and industry trends to ...



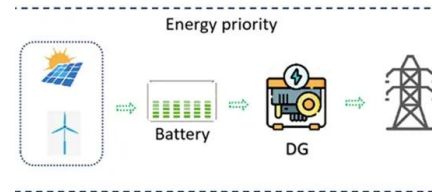
Cost Projections for Utility-Scale Battery Storage: 2025 Update

Battery storage costs have evolved rapidly over the past several years, necessitating an update to storage cost projections used in long-term planning models and other activities.

Grid-Scale Battery Storage: Costs, Value, and Regulatory

...

Grid-Scale Battery Storage: Costs, Value, and Regulatory Framework in India Webinar jointly hosted by Lawrence Berkeley National Laboratory and Prayas Energy Group



Residential Battery Storage , Electricity , 2024 , ATB

This report is the basis of the costs presented here (and for distributed commercial storage and utility-scale storage); it incorporates base year battery costs and breakdown from (Ramasamy et al., 2023), which works from a ...

Contact Us

For catalog requests, pricing, or partnerships, please visit:
<https://naturesnursery.co.za>