

Global PV Storage Insights

Successful bid price of Solar Inverter project in Israel 2026



Overview

Its winning bid of ILS 0.07 (\$0.019)/kWh is the lowest price/kWh of electricity in the country to date, according to the Ministry of Energy and Infrastructure.

Its winning bid of ILS 0.07 (\$0.019)/kWh is the lowest price/kWh of electricity in the country to date, according to the Ministry of Energy and Infrastructure.

The lowest price for kWh of electricity in Israel: EDF Renewables was selected as the winner in the tender for the establishment of the Ashalim 3 photovoltaic power plant, at an unprecedented price of less than 0.07 NIS per kWh. Ministry of Finance The lowest price for kWh of electricity in Israel:.

EDF has won an Israeli solar tender with a bid of \$0.019/kWh, securing a 100 MW project to sell energy at a record price of ILS 0.07 (\$0.02)/kWh. EDF Renewables, a unit of French energy giant EDF, has won the Israeli government's latest tender to build and operate a new 100 MW solar plant.

Its winning bid of ILS 0.07 (\$0.019)/kWh is the lowest price/kWh of electricity in the country to date, according to the Ministry of Energy and Infrastructure. This winning tariff is even lower than ILS 0.07/kWh the company bid for the 100 MW Ashalim 3 PV tender that it won in July 2024 (see EDF).

The Israeli Government has announced the French utility EDF as the winner of its latest solar tender for the construction of a 300 MW solar project in the Negev desert. The Dimona tender was organized by the State of Israel to build and operate the largest solar field in Israel. EDF Renewables was.

The Israeli government has published a tender seeking bids for a 100MW solar PV project to be built near the Ashalim settlement, a solar power hub in the country. Jointly issued by Israel's Ministry of Finance, Ministry of Energy and Infrastructure and the Electricity Authority, the tender will see.

The 300 Megawatt project will be built near the city of Dimona in southern Israel in the Negev desert. The submitted bid was just below ILS 0.07 (\$0.019) per kilowatt hour, the lowest ever price recorded in an energy tender in Israel. EDF Renewables broke the ILS 0.07 mark for the first time in.

Successful bid price of Solar Inverter project in Israel 2026

OEM service

Hot Colors:



Color can be customized
 more questions just do not hesitate to contact us

LOGO Position: (Screen printing)



Huasun 2024 Annual Review: Successful Bids & Project ...

By December 2024, the 4 GW Ruoqiang Photovoltaic (PV) Project in Xinjiang, China, the world's largest single-site HJT solar project has successfully connected to the grid. ...

ESS

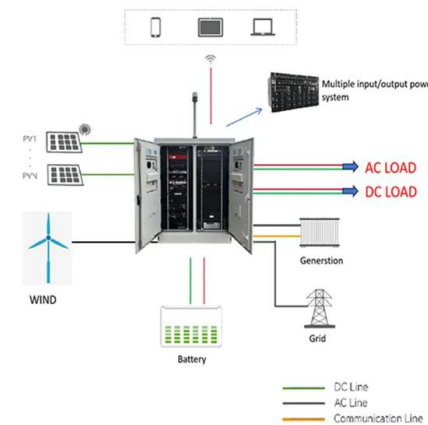


Winning bid price for photovoltaic energy storage in Israel

EDF Renewables says it has won a tender to build and operate Israel's largest PV plant, a 300

EDF Renewables Wins 300 MW Solar Energy Project In Israel

Part of the French energy giant EDF, EDF Renewables has won the rights to build the largest solar power plant in Israel with a 300 MW planned capacity. Its winning bid of ...



Israel solar energy storage project winning bid

the project. Image: Libra Solar / Arevia Power. Libra Solar will be located about 20 miles south of the Fort Churchill substation in Yerington, near the coal and C&I energy storage market in H1 ...

MW project near Dimona, with a bid under \$0.019/kWh - the lowest price ever in the Israeli



CIS generation tender 1 will deliver 2.75 GW of solar generation ...

Twelve of the 19 successful Capacity Investment Scheme Tender 1 bids have been allocated for 2,750 MW of solar generation, split between New South Wales, Victoria and ...

[Solar Project Tenders 2025](#)

2 ???· Solar Project Tenders And GPN Opportunities 2025 We have identified 87 global solar project tenders from the public procurement domain worldwide. View the latest global tenders ...



Top 69 Solar Power Companies in Israel (2025) , ensun

The company offers a range of residential solar products, including solar systems, inverters, power optimizers, and storage solutions, highlighting its commitment to innovative home solar solutions.

Wholesale Solar Inverter from Supplier , Israel

We are a Solar Inverter supplier in the Israel, providing a variety of Solar Inverter, if you are interested in the wholesale price of Solar Inverter in the Israel, please contact us.



Solar Energy in Israel (solar power, solar electricity, solar water

Welcome to the Solar Energy in Israel website It is my goal to provide you with useful resources to learn about solar energy in Israel and keep you up-to-date with news and developments.

Israel issues tender for 100MW public-private solar PV ...

The Israeli government has published a tender seeking bids for a 100MW solar PV project to be built near the Ashalim settlement, a solar power hub in the country.



Top Solar Companies In Israel In 2025

These companies offer a range of solar products and services, including solar panels, inverters, batteries, and monitoring systems. With a strong focus on innovation and sustainability, solar ...

Renewable Energy in Israel - How the Country is Betting on Solar ...

There's a growing movement in Israel focused on harnessing solar energy and advancing green technologies. As the country faces increasing energy demands and ...

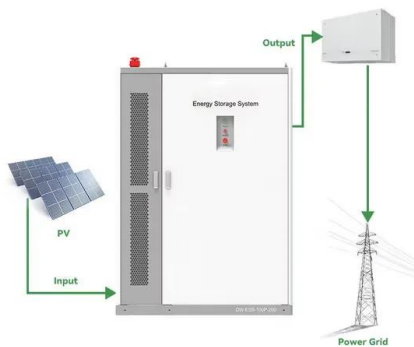


Renewables 2021

While renewables continued to be deployed at a strong pace during the Covid-19 crisis, they face new opportunities and challenges. This year's report frames current policy and market ...

Masdar , Worlds Largest Solar Power Plants launched ...

Solar power is one of the most cost-effective and low-carbon-intensive solutions for electricity generation, and we are rapidly commissioning and deploying new utility-scale solar power projects, to enable the generation ...



UK allocates more than 3 GW of solar through CfD ...

Record contracts for difference (CfDs) auction for UK solar results in more than 90 projects securing fixed-price contracts. It follows intervention from the new UK government in summer 2024 to

Solar Inverter Market Size, Share, Trends Report ...

Solar Inverter Market to reach USD 18.93 billion, at a 5.70% CAGR during 2024 - 2030. Global hybrid solar inverter market Growth analysis by industry size, share, top companies, trends, new technology, demands, opportunity, revenue and ...



Germany: 400MW+ of solar-storage projects win ...

The contracts provide an additional premium in EUR/kWh to winning projects for energy discharged to the market. Prices for the successful bids range from EUR0.0776/kWh to EUR0.0878 ct/kWh with an average price of ...

Top 5 Israeli Solar Panel Manufacturers 2024

Are you looking for solar panel manufacturers in Israel? This article lists 5 high-quality solar panel companies for your reference. If you have needs for your project, please follow me to learn more.



NATIONAL COMPETITIVE BIDDING DOCUMENT

Foreword This National Competitive Bidding Document for the Engineering, Procurement, Construction, and initial Operations and Maintenance of Rooftop Solar PV and Energy Efficient ...

Huasun 2024 Annual Review: Successful Bids & Project ...

02 Top Pick for Utility Projects By December 2024, the 4 GW Ruoqiang Photovoltaic (PV) Project in Xinjiang, China, the world's largest single-site HJT solar project ...



How to find solar tenders worldwide plus 5 tips to ...

Bidders are required to submit tender documents outlining their proposed approach to the project, including logistics, technical design, company structure, examples, and references from previous projects, as well as cost. ...

Top Solar inverter Manufacturers Suppliers in Israel

SolarEdge Technologies, Inc. is an Israel-headquartered provider of power optimizer, solar inverter and monitoring systems for photovoltaic arrays.



Top Off Grid Inverters Suppliers in Israel

Wholesale Off-Grid Inverters PV System? An off-grid solar system, also known as off-the-grid or standalone, is a photovoltaic system that has no access to the utility grid. For this reason, off ...

The lowest price for kWh of electricity in Israel: EDF Renewables ...

The results of the tender prove that reducing emissions and achieving government targets for renewable energies go hand in hand with lowering electricity prices, ...



Sungrow and Solis win bid for 1GW inverter deal

China Datang Corporation (CDT) has selected Sungrow and Solis for its 1GW solar inverter project from 2023 to 2024. This announcement follows the unveiling of the bid results for the third section of the framework.

Sungrow Signs 127 MWh Energy Storage Deals In Israel

Sungrow, the global leading inverter and Energy Storage System (ESS) supplier, has inked a milestone deal with EDF Renewables Israel, the leading renewable energy company in Israel, to deliver cutting-edge liquid ...



Top Solar Companies in Israel : OEM/ODM

The company's expertise in project financing, development, and management ensures the successful implementation of solar projects that contribute to the reduction of carbon emissions and the advancement of solar energy adoption ...

Contact Us

For catalog requests, pricing, or partnerships, please visit:
<https://naturesnursery.co.za>