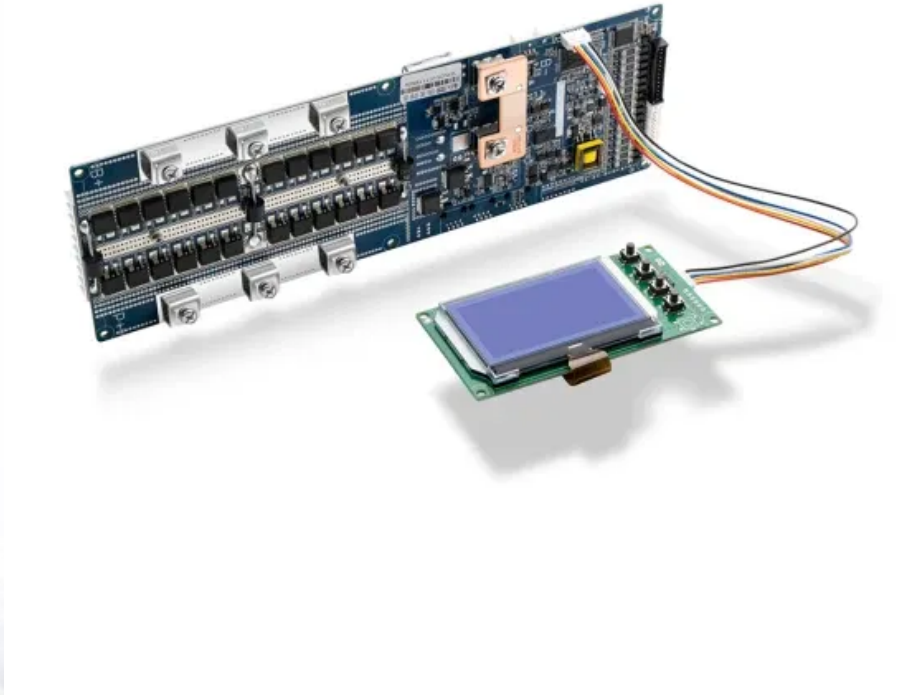


Global PV Storage Insights

Successful bid price of business energy storage project in Mexico 2025



Overview

Mexico's ambitious pursuit of clean energy hinges heavily on the utilization of solar and wind power. However, the intermittent nature of these sources poses a substantial.

Mexico's energy sector is currently undergoing a dynamic shift, driven by the integration of solar energy and energy storage solutions. The once-muted Mexico Energy.

After the administration of Andrés Manuel López Obrador (commonly abbreviated as AMLO) made it more challenging to buy and sell energy on the wholesale markets.

The Mexico Energy Storage Market accounted for \$XX Billion in 2023 and is anticipated to reach \$XX Billion by 2030, registering a CAGR of XX% from 2024 to 2030.

By Technology Type 1. Battery Energy Storage Systems 2. Mechanical Energy Storage 3. Thermal Energy Storage By Application 1. Grid Storage 2. Residential.

Successful bid price of business energy storage project in Mexico 20

To Strive forward No Energy Waste



- ✓ All in one
- ✓ 100~215kWh High-capacity
- ✓ Intelligent Integration

RFP: Michigan utility DTE Energy seeks 450 MW of standalone energy storage

The utility currently owns and operates three energy storage facilities in the state, including the Ludington Pumped Storage Plant, a hydroelectric plant and long-duration ...

Energy Storage Systems (ESS) Projects and Tenders

Content Owned by MINISTRY OF NEW AND RENEWABLE ENERGY Developed and hosted by National Informatics Centre, Ministry of Electronics & Information Technology, ...



200kWh Battery Cluster

[Energy Storage News] 'Foundational' market shifts affecting ...

There will be 'foundational' shifts in the US' two largest renewables and energy storage markets this year, California (CAISO) and Texas (ERCOT), significantly affecting ...

Battery Storage Unlocked: Lessons Learned From Emerging ...

Lessons Learned from Emerging Economies The

Supercharging Battery Storage Initiative would like to thank all authors and organizations for their submissions to support this publication. This ...



Latin America's Energy Storage Boom: Market & Outlook 2025

The Chilean government has enabled standalone storage systems and created favorable rules for remuneration, energy arbitrage, and grid services. Chile's storage market ...

US states tendering for 550 MW of energy storage

A request for proposals (RfP) has been drawn up for around 450 MW of storage capacity in Michigan and Tennessee Valley Authority (TVA) wants a 100 MW battery energy storage system (BESS) for its new 1.55 GW gas and ...



New Mexico utility seeks approvals for battery storage

...

Public Service Company of New Mexico is seeking approval of off-take agreements for third-party BESS contracts and a project it will own.

Global Energy Storage Market Outlook

Battery costs have fallen dramatically owing to scale and investment of automotive sector Note: Battery price is benchmark price for an LFP energy storage module in the United States Data

...



New York's Bulk Energy Storage Procurements to ...

New York State continues to advance its bulk energy storage deployment efforts, and a final Bulk Storage Implementation Plan is now likely to be made public before the end of April--with procurements set to begin by ...

Energy

Mexico: Electricity generation in the Energy market in Mexico is projected to reach 445.60bn kWh in 2025. Definition: The energy market is a broad term that encompasses all forms of energy

ESS



What 2025 holds for the US energy storage market

2025 is expected to be another significant year for energy storage development and deployment in the US. According to the Energy Information Administration (EIA) and various industry reports, utility-scale ...

List of Upcoming Battery Energy Storage System (BESS) Projects ...

Search all the announced and upcoming battery energy storage system (BESS) projects, bids, RFPs, ICBs, tenders, government contracts, and awards in Mexico with our comprehensive ...

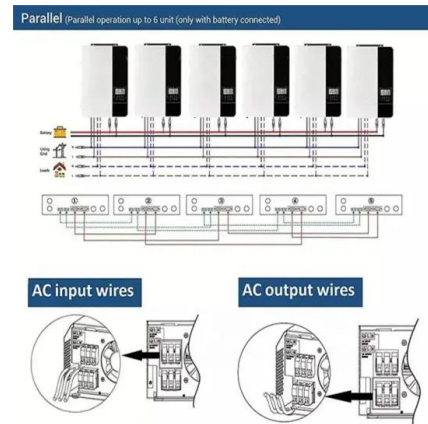


RFP: Michigan utility DTE Energy seeks 450 MW of ...

The utility currently owns and operates three energy storage facilities in the state, including the Ludington Pumped Storage Plant, a hydroelectric plant and long-duration storage facility on the shores of Lake ...

Energy storage in Mexico: fertile ground for ...

With Mexico's president-elect having announced an intent to attract renewables investment, energy storage was the subject of much discussion at the Intersolar Mexico trade show.



Single Phase Hybrid

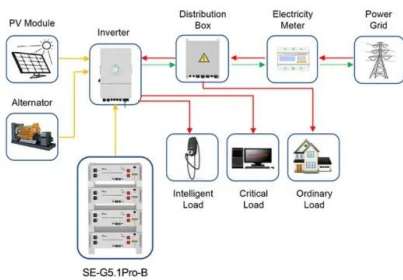
- 5 Year Warranty Period
- Global Leading Inverter Brand
- Top 3 World Single Phase PV Inverter Supplier

Mexico Energy Sector Reform

Mexico's push to expand renewable energy continues to create demand for solar, wind, geothermal, and energy storage technologies, along with smart grid and industrial ...

Nofar and Qcells develop 350MW energy storage ...

Nofar USA, a subsidiary of Nofar Energy, and Qcells USA, a subsidiary of Hanwha Qcells, have signed an agreement to develop and construct two energy storage projects in the US state of Texas. The two projects, ...



Application scenarios of energy storage battery products

Illinois considers procuring state's first energy storage project

The Energy Storage Summit Central Eastern Europe is set to return in September 2025 for its third edition, focusing on regional markets and the unique opportunities they ...

Anza Renewables on tariffs and successful energy storage projects

The 2024 Summit included innovative new features including a 'Crash Course in Battery Asset Management', Ask-Me-Anything formats and debate-style sessions. You can ...



TAX FREE

Product Model
 HJ-ESS-215A(100KW/215KWh)
 HJ-ESS-115A(50KW/115KWh)

Dimensions
 1600*1280*2200mm
 1600*1200*2000mm

Rated Battery Capacity
 215KWH/115KWH

Battery Cooling Method
 Air Cooled/Liquid Cooled

Latest Ongoing Battery Energy Storage System (BESS) Projects ...

Search all the ongoing (work-in-progress) battery energy storage system (BESS) projects, bids, RFPs, ICBs, tenders, government contracts, and awards in Mexico with our comprehensive ...

Top 5 Largest Upcoming BESS Projects in the World 2025

Discover the world's biggest battery storage projects of 2025, including BYD's 12.5 GWh system in Saudi Arabia, Greenergy's 11 GWh Atacama project, and more shaping the global energy ...



Summary of Global Energy Storage Market Tracking ...

China EPC bidding update of 2024 Q3: Bidding reaches record high, energy storage system bid prices hit historic lows In the first three quarters of 2024, the bidding volumes for battery systems, energy storage systems, and ...

ENERGY STORAGE

The Department has launched the third bid round under the Battery Energy Storage Independent Power Producers Procurement Programme (BESIPPPP), calling for 616 MW of new generation capacity will be procured ...



Energy Storage Rides a Wave of Growth but Uncertainty ...

Continued expansion of intermittent renewable energy, ESG-focused investments, the growing versatility of storage technologies to provide grid and customer services, and declining costs ...

Spain plans first capacity market auctions for summer ...

Grid firm power capacity contracts, available to cover peak demand when needed, would be allocated via auctions with successful bidders being paid a fixed monthly fee for megawatts available and a price in euro, ...

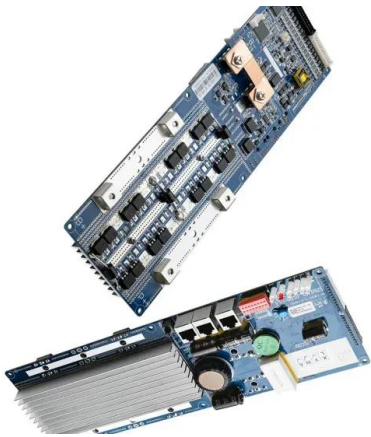


[January 2025 State of Charge](#)

NY-BEST State of Charge - January 2025 2025 is sure to be another exciting year for energy storage in New York State as NY-BEST celebrates our fifteenth year as an ...

Mexico's New Energy Storage Policy Shakes Up ...

Mexico's energy sector has unveiled a groundbreaking policy, stirring up the global energy storage market and introducing new variables to its development path. Recently, the Mexican Ministry of Energy announced a new ...



Energy storage safety and growth outlook in 2025

The push toward clean energy targets in 24 states also creates compelling opportunities for energy storage. While established markets like California, Texas and Arizona set the pace, the growing project pipeline in ...

Energy Winning Bid for Energy Storage 2025: Trends, ...

If you're skimming this article, chances are you're either an energy project developer sweating over 2025 storage bid strategies, a policy wonk trying to decode market ...

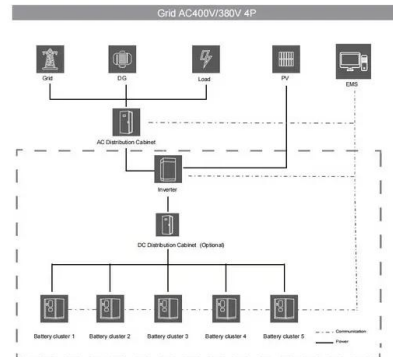


What 2025 holds for the US energy storage market

2025 is expected to be another significant year for energy storage development and deployment in the US. According to the Energy Information Administration (EIA) and ...

Bulk Energy Storage Implementation Plan Proposal

The Index Storage Credit shall be calculated by comparing the Strike Price bid by the Project with the Reference Price, which consists of the sum of the Reference Energy ...

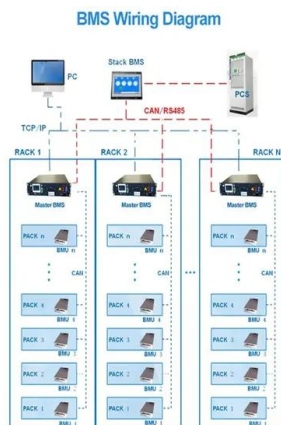


Addressing Tariffs and Trade in Energy Storage Projects

Two major areas of international trade that will remain causes of concern for energy storage projects are the application of tariffs and supply chain integrity. While it remains to be seen what the US administration might impose ...

The standalone energy storage market in India , IEEFA

Standalone Energy Storage Systems (ESS) are rapidly emerging as a key market, with 6.1 gigawatts of tenders issued in the first quarter of 2025 alone, accounting for 64% of the total utility-scale energy storage ...



Energy storage safety and growth outlook in 2025

Looking ahead: Keys to success Several factors will define the energy storage market in 2025: the continued dominance of LFP chemistry and its downward impact on ...

Contact Us

For catalog requests, pricing, or partnerships, please visit:
<https://naturesnursery.co.za>