

Global PV Storage Insights

Successful bid price of solar plus storage project in Chile 2030



Overview

While a total of 15 companies were selected for bidding, only two companies have been successful in their bids with a total of 777GWh of power supply – for an average price of US\$37.38/MWh – that amounted to just 14.8% of the 5.250GWh initially auctioned.

While a total of 15 companies were selected for bidding, only two companies have been successful in their bids with a total of 777GWh of power supply – for an average price of US\$37.38/MWh – that amounted to just 14.8% of the 5.250GWh initially auctioned.

Canadian Solar was behind the company Zapaleri that received a successful bid in Chile's July auction with 253MWp of solar PV and 1GWh battery energy storage. While a total of 15 companies were selected for bidding, only two companies have been successful in their bids with a total of 777GWh of.

The Chilean authorities want to contract 5,400 GWh of power from renewable energy, while also including battery storage. The selected developers will secure 20-year power purchase agreements (PPAs). From pv magazine LatAm CNE, Chile's energy regulator, has published the bidding rules for the.

Independent power producer (IPP) Verano Energy has closed a US\$204 million financing for a 83MW/660MWh solar-plus-storage project in Chile. Located in the northern region of Atacama, the Domeyko Solar + Battery Energy Storage System (BESS) project is currently under construction. The project is.

Powered by BYD's cutting-edge energy storage solutions, the 221MW/1,200MWh project, developed by Contour Global, now stands as a model for desert-based renewable energy integration. Located on the edge of Chile's solar-rich Atacama Desert, the plant integrates 452,000 bifacial solar panels with 267.

With a \$33 billion global energy storage industry already generating nearly 100 gigawatt-hours annually [1], Chile aims to carve its niche as a Latin American leader. Let's unpack the details, explore cutting-edge trends like hybrid storage systems and green hydrogen integration, and share tips to.

With 23 energy storage projects already approved, totaling an impressive 3,000 MW of capacity, Chile is at the forefront of innovation and efficiency in Latin America. During its recent participation in COP28 in Dubai, Chile not only reaffirmed its commitment to renewable energy, but also.

Successful bid price of solar plus storage project in Chile 2030



Chinese Energy Storage Tech Powers Latin America's Largest

...

With Chile targeting 70% clean energy by 2040, data from the National Energy Commission shows solar-storage costs have plunged 62% since 2019, driving projected renewable capacity

...

DEWA invites international developers to submit ...

This phase, which is expandable to 2,000MW, will use photovoltaic solar panels and a battery energy storage system with a capacity of 1,000MW for six hours, providing a total storage capacity of 6,000 megawatt ...



Colbún Inaugurates First Of 800MW Energy Storage Projects, In Chile...

Utility Colbún has inaugurated a solar-plus-storage project with a 32MWh battery energy storage system in the Atacama region, the first of an 800MW deployment target. ...

DNV supports Zelestra in securing \$282 million green financing ...

Solar plant in the desert DNV has enabled Zelestra to secure a \$282 million green financing package for Chile's Aurora project--a landmark 220 MWdc solar PV and 1 ...



Chile: Big renewables-plus-storage project progress from ...

Spanish independent power producer (IPP) Grenergy has sold the fourth phase of its flagship solar-plus-storage project in Chile, Oasis de Atacama. Infrastructure investor ...

Chile's 24x7 Concentrating Solar Power Plus Storage ...

Latin America's first, utility-scale concentrating solar power (CSP)-thermal energy storage project in Chile will be completed in 2019's second half, and its associated 17 hours of molten salt thermal energy storage capacity will enable ...



Canadian Solar behind Zapaleri 253MWp successful bid in Chile...

Canadian Solar was behind the company Zapaleri that received a successful bid in Chile's July auction with 253MWp of solar PV and 1GWh energy storage.

MENA Solar and Renewable Energy Report

The dramatic drop in the price of solar energy coupled with increasing competitiveness of storage solutions will allow solar energy for a number of usages that have traditionally been large ...



Chile to become second-largest battery market in ...

Chile is now on track to become the second-largest battery market in the Americas, following the United States. As of this year, the Latin American nation has switched on 12 storage projects, with

Zelestra secures \$282mn financing for hybrid solar and storage project

Zelestra has secured \$282mn financing from Natixis CIB, BNP Paribas and BCI for its Aurora project, combining a 220 MWdc solar plant and 1 GWh storage capacity in the ...



✓ 50KW/100KWH

✓ HIGHER POWER OUTPUT IN OFF-GRID MODE

✓ CONVENIENT OPERATION & MAINTENANCE

✓ PRE-WIRED



AES Andes Unveils 211-MW

AES Andes SA unveils the Andes Solar IV complex, a game-changer in renewable energy with 211 MW solar power and 130 MW energy storage--accelerating Chile's ...

In numbers: Solar and battery storage powerhouse ...

Chile has reached fresh milestones in its energy transition amid a rapid build-out of solar and battery storage infrastructure. The context: The South American nation's brisk shift to clean electricity was sparked by staunch ...

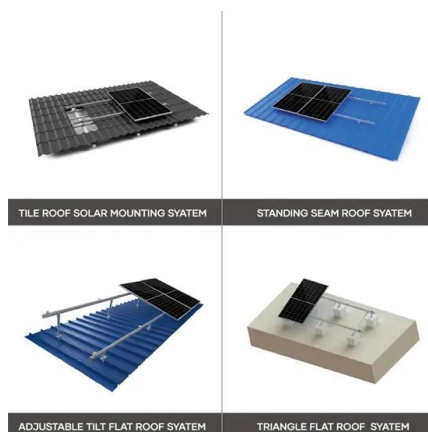


Banking on batteries in Chile

The Chilean solar market is booming but as curtailment grows, a hybrid approach to generation is gaining ground. Storage project announcements are coming thick ...

Verano secures financing for Chile solar-plus-storage project

Independent power producer (IPP) Verano Energy has closed a US\$204 financing for a 83MW/660MWh solar-plus-storage project in Chile.



The Latest SJVN Auction Drives "Solar plus 4-hour Energy Storage

Record-low INR3.32/unit tariff set for solar + 4-hr energy storage projects in SJVN auction, 5.8% lower than SECI's Dec 2024 rate.

CHILE ENERGY STORAGE PROJECT BIDDING

The planned energy storage projects will be located in various sites in northern Chile, where most solar and renewable energy power plants are situated, requiring a total investment of \$2 billion

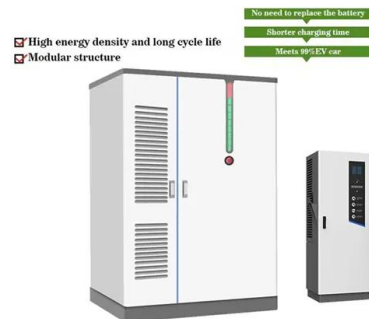


Engie breaks ground on 995 MWh solar-plus-storage ...

The site, the first solar-plus-storage project built from scratch by Engie Chile, will feature 208 lithium-ion battery containers. Engie Chile wants 3.5 GW of installed energy capacity by 2027, with more than 60% of it renewable ...

Chile Energy Storage Project Tender Announcement: What You ...

Chile wants 70% renewable electricity by 2030, and storage is the glue holding that goal together. With tenders like this, the country could outpace Brazil's Amazon Wind ...



51.2V 300AH

Canadian Solar Awarded 253 MWp Solar Plus 1,000 MWh ...

This solar and battery storage project awarded to Canadian Solar will reinforce our leading position in Latin America, particularly in Chile where Canadian Solar has a backlog of 600 ...

Chile makes progress on energy storage with 20

The technological diversity of energy storage projects in Chile is remarkable. From battery storage systems to innovative projects with gases such as CO₂, the country is exploring different solutions to meet changing energy demands.

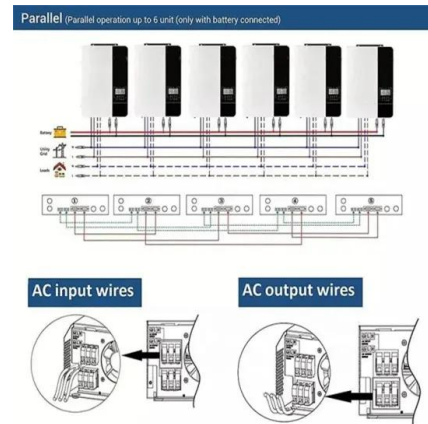


Innovative Decarbonization Policies: Chile , Column

Chile has ambitious climate change and renewable energy policies: it aims for carbon neutrality by 2050, by phasing out coal power by 2040 and targeting 70% renewable energy electricity by 2030. Renewable energy ...

Greenergy raises US\$324 million for Phase 4 of 'world ...

Greenergy has raised financing for the fourth phase of a solar-plus-storage project in Chile set to feature 11GWh of battery storage capacity when completed. Spanish independent power producer (IPP) Greenergy said on ...



ContourGlobal Commissions Latin America's Largest ...

ContourGlobal has officially launched the Quillagua Solar-Storage Power Plant in Chile, the largest of its kind in Latin America. The 221MWp facility features 1.2GWh of battery storage and 267 BYD MC Cube systems, marking a major ...

How to find solar tenders worldwide plus 5 tips to boost your success

Bidders are required to submit tender documents outlining their proposed approach to the project, including logistics, technical design, company structure, examples, ...



Chinese Energy Storage Tech Powers Latin America's Largest Solar-Plus

With Chile targeting 70% clean energy by 2040, data from the National Energy Commission shows solar-storage costs have plunged 62% since 2019, driving projected renewable capacity

...



Home Energy Storage (Stackable system)



ContourGlobal brings online Chile solar-plus-storage ...

The first two phases of Latin America's 'biggest' solar-plus-storage project, Oasis de Atacama, have been commissioned in Antofagasta, Chile.



JIRE Accelerates Renewable Transition with 300-MW Solar-Plus-Storage

JIRE's successful bid for the 300-MW solar project marks a critical milestone in India's transition toward dispatchable renewable energy. As part of a highly competitive tender ...

Verano Secures \$204M for Chile Solar-Storage Project

Verano Energy secures \$204M for Chile's Domeyko solar-plus-storage project, set to revolutionize energy delivery with 83-MWp solar and 660-MWh battery by 2026.



Chile To Deploy 5 GW Of Battery Storage Capacity By 2030 To ...

The report notes that Chile is set to become the first country in South America to achieve competitive battery storage pricing within the next decade. The integration of ...

Contact Us

For catalog requests, pricing, or partnerships, please visit:
<https://naturesnursery.co.za>