

Global PV Storage Insights

Wind solar storage supplier quotation in Tunisia 2030



 **TAX FREE**    

ENERGY STORAGE SYSTEM

Product Model
HJ-ESS-215A(100KW/215KWh)
HJ-ESS-115A(50KW 115KWh)

Dimensions
1600*1280*2200mm
1600*1200*2000mm

Rated Battery Capacity
215KWH/115KWH

Battery Cooling Method
Air Cooled/Liquid Cooled



Overview

Will Tunisia develop solar and wind projects in 2023-2025?

The Ministry of Industry, Mines and Energy of the Tunisian Republic has issued three (3) calls for tenders for the development of solar and wind projects over 2023-2025 with a total capacity of up to 1.7GW.

How many photovoltaic solar projects are planned in Tunisia?

The Ministry of Industry, Mines and Energy of the Tunisian Republic intends to select eight (8) power generation projects from photovoltaic solar energy of 100MW each in four (4) rounds over 2023-2025. The rounds are as follows:

How much solar power does Tunisia have?

The Tunisian Solar Plan foresees a share of renewable electricity of 35% and an installed capacity of 4GW by 2030. In 2021, Tunisia had achieved only 400 MW, with the majority stemming from wind power and smaller amounts in solar and Hydropower. Up to 2000, Tunisia was mostly self-sufficient when it came to energy.

When will Tunisia get a photovoltaic power plant?

The government will await proposals until April 30, 2025. The capacity will be awarded under the second round of the country's AO-01-2022 call for tenders, through which Tunisia aims to find contractors for 1,700 MW of photovoltaic (PV) projects under its national renewable energy development programme.

What is the Tunisian Solar Plan?

The Tunisian Solar Plan has been central in translating generation targets of 12% by 2022 and 30% by 2030 into actual capacity installations. From 360 MW installed by 2019, the plan identifies an additional 1 860 MW of renewables needed by 2022 and 3 815 MW by 2030.

How many photovoltaic power plants can be built in Tunis?

The rounds are as follows: Two (2) Photovoltaic Power Plants of 100MW each with a submission deadline on Thursday, 15 June 2023 at 12pm, Tunis time. Two (2) Photovoltaic Power Plants of 100MW each with a submission deadline in March 2024. Two (2) Photovoltaic Power Plants of 100MW each with a submission deadline in November 2024.

Wind solar storage supplier quotation in Tunisia 2030



Tunisia household energy storage power supply field quotation

One third of the projects will be for wind farms and two thirds for solar photovoltaics. Tunisia's national grid is connected to those of Algeria and Libya which together helped supply about ...

Results of Tunisian renewables tender expected soon

A deadline of August 15, 2018 was set for 70 MW of wind bids. Tunisia aims to generate 30% of its electricity from renewables by 2030. That goal will be achieved through the ...



Powering Tunisia's Future: The Rise of Energy Storage Machines

Tunisia's golden Saharan sun blazes for 3,000+ hours annually, yet energy storage machines remain as rare as rain in the desert. While the country has made strides in renewable energy ...

IRENA - International Renewable Energy Agency

The International Renewable Energy Agency (IRENA) is an intergovernmental organisation supporting countries in their transition to a

sustainable energy future.



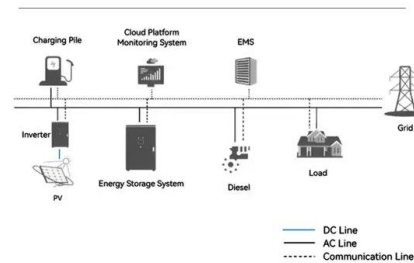
Optimal wind-solar site selection using a GIS-AHP based ...

Constructing large wind power plants (WPPs) and solar photovoltaic plants (SPVPs) is a significant long-term investment. Due to the various conflicting factors involved in ...

Unlocking Solar and Wind Potential: Streamlining ...

Renewable energy, including solar, wind, geothermal, biomass, and organic gas, offers a major economic opportunity for Tunisia. The country acknowledges the significance of renewable energy for energy security and ...

System Topology



Présentation PowerPoint

The Tunisian Solar Plan (PST) is the national program aiming at reaching the renewable energy development strategy targets. The goal is to increase the total share of renewables in the ...

Tunisia Energy Storage Project Powering a Sustainable Future

Why Tunisia's Energy Storage Project Is a Game-Changer In October 2023, Tunisia signed a landmark agreement to develop a 100 MW battery energy storage system (BESS), marking a ...



World Bank Invites Consultants For Tunisian Solar & Storage ...

The World Bank has launched a call for interested consultants to conduct a technical study for a 350 MW to 400 MW solar and battery storage project in Tunisia.

Custom Portable Energy Storage Solutions in Tunisia EK SOLAR

Why Tunisia Needs Custom Battery Solutions? With solar radiation levels reaching 5.3 kWh/m²/day and wind speeds averaging 7.5 m/s in coastal regions, Tunisia's renewable ...



Scaling up renewable energy investment in Tunisia

Tunisia has an abundance of solar and wind resources, providing sustainable and cost-competitive options to meet growing energy demand. The country has established a target of ...

New Energy Storage in the Gulf of Tunisia

Experimental assessment of the solar energy potential in the gulf of Tunis, Tunisia Ahmed Ridha El to harness solar energy by developing new collectors having an absorber and storage ...



Tunisia energy storage power wholesale price

What percentage of Tunisia's electricity is renewable? In 2022, only 3% of Tunisia's electricity is generated from renewables, including hydroelectric, solar, and wind ...

MIGA Boosts Tunisia's First Large-Scale Solar Energy Project

This landmark project will be the first large-scale privately financed grid-connected solar independent power producer in the country and will support the government of ...



MENA region's solar energy capacity to exceed 180 ...

The report also said that efforts to localize solar manufacturing and reduce reliance on external suppliers are essential for long-term success. Countries like Morocco, Egypt and Tunisia are expanding their solar capacities ...

Tunisia grants licences to 120 MW of wind projects

Tunisia's Ministry of Industry and Small and Medium Enterprises has awarded licences to four onshore wind projects totalling 120 MW under its authorisation scheme for projects in the renewables sector.



Tunisia s top ten new generation solar energy storage battery ...

In Tozeur, the country's first solar power plant is ... STEG Manager Sayari mentions some key data, including plans to generate 30 per cent of Tunisia's power by 2030 using renewable ...

Tunisia solar panel 3 phase

Tunisian Solar Plan contains 40 projects aimed at promoting solar thermal and photovoltaic energies, wind energy, as well as energy efficiency measures. The plan also incorporates the ...



African Power Platform

Description: Solar and wind power generation have substantial potential in the country. The north of the country faces the Mediterranean Sea, and receives high wind velocities favoring wind ...

Local Solar & Wind Projects - TuNur

All power from the projects will be delivered to STEGs HV network supporting Tunisia's energy transition and growing energy demand. TuNur is committed to the Tunisian market and is participating in tenders in collaboration with its local ...



OPPORTUNITIES AND CHALLENGES IN GAME ...

Project participants in the upcoming Tunisian wind and solar tenders can draw upon the recent experiences of neighboring North African jurisdictions in structuring bankable renewable projects.

Power Sector Transition in Tunisia

The Government of Tunisia is taking steps to diversify its energy generation mix by bringing on hydropower and solar energy. As one of the most climate vulnerable Mediterranean countries, ...



Tunisia Photovoltaic Energy Storage

With the Tunisian government recognizing the significance of home storage battery systems and abundant sunlight resources in Tunisia, the country possesses immense potential for solar ...

Renewable energy in Tunisia: GFSE

The Tunisian Solar Plan foresees a share of renewable electricity of 35% and an installed capacity of 4GW by 2030. In 2021, Tunisia had achieved only 400 MW, with the majority stemming from ...

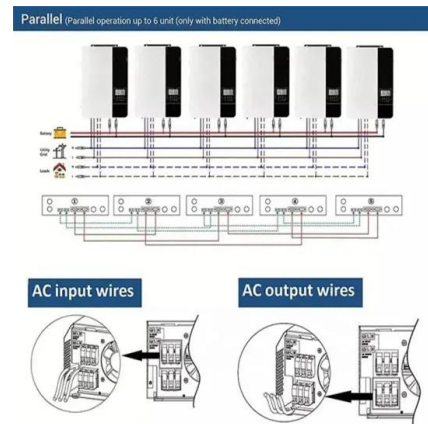


Optimal Wind-Solar Site Selection Using A GIS-AHP Based ...

This study presents a GIS-AHP based approach for optimal site selection of wind power plants (WPPs) and solar photovoltaic plants (SPVPs) in Tunisia, identifying suitable areas covering ...

Tunisia

*Achieve an installed renewable energy capacity of 3,815 MW in 2030, including 1,755 MW for wind power, 1,610 MW for solar photovoltaic (PV) and 450 MW for concentrated solar power ...



Tunisia opens bidding in 200-MW solar tender , Solar ...

Tunisia's Ministry of Industry, Mines and Energy has opened a tender that will award two solar projects with a combined capacity of 200 MW to feed electricity into the national grid.

A comprehensive review on wind energy in Africa

The African continent is endowed with massive energy resources such as hydropower, solar, wind, natural gas, wave energy, and many more, yet it is the continent with ...



Latest Progress of Tunisia Energy Storage Power Station

...

SunContainer Innovations - As Tunisia pushes toward its 2030 renewable energy goals, energy storage power stations are emerging as game-changers. This article explores the latest ...

TOP SOLAR PANEL DISTRIBUTORS SUPPLIERS IN TUNISIA

Does Tunisia have a solar power plant? First utility-scale photovoltaic plant (10 MW, in Tozeur) was commissioned in 2019 on German money. Tunisia aims to generate 30% of its electricity ...



[energy storage companies tunisia](#)

Tunisia's guiding plan for developing and deploying renewable energy and reaching 1,860 MW of installed renewable capacity by 2023 and a 30% renewable energy share by 2030, including ...



Renewable energy in Tunisia: GFSE

Tunisia has significant potential for renewable energy, particularly wind and solar power. However, the country is still heavily dependent on fossil gas for electricity generation and is ...



Tunisia's Strategic Push Toward Renewable Energy ...

With aims to install 1,700 MW of renewable energy capacity between 2024 and 2026, Tunisia has launched a number of international tenders. The tenders call for the development of 800 MW of solar power and 600 MW of ...

Contact Us

For catalog requests, pricing, or partnerships, please visit:
<https://naturesnursery.co.za>